



CELETTE®



CAR BODY EQUIPMENT  
Measuring and Straightening Systems

HISTORY OF CELETTE

THE FIRST BENCH

Germain CELETTE creates the first bench and dedicated fixture set



1953

2009



GRIFFON XL

The All New Griffon XL is one of the most futuristic and productive design

RHONE XL

The All New Rhone XL is an extra long drive-on bench with double scissor lift

2018



STRAIGHTENING SYSTEMS | MEASURING SYSTEMS | DEDICATED/ADAPTABLE JIGS

CELETTE, The First One...

Over 60 years of strong partnership and demand from the global car manufacturers has facilitated in cementing the technical know-how of Celette to deliver highly productive and innovative car body repair equipments.

The legendary brand CELETTE has been the most preferred **COLLISION REPAIR SYSTEM** in this industry. We design technologically developed products with the aim to offer solutions to accident damages and also to **INCREASE PROFITABILITY** of the body shop by reducing production hours and insurance man-hours.

Celette strengthens its leading position by consistently escalating the number of OEM approvals in the industry. It has been rewarded with wide acceptance by the car manufacturers for the overall efficiency of the products and the ease of vehicle repair process by all the levels of car body repair technicians.

To cater the global need of technical knowledge in the car body repair industry, the worldwide CELETTE Technical Training Academy has expanded its operations by establishing a **NEW TRAINING FACILITY CENTRE** at *Chonburi, Thailand*.

For further information, please visit us at [www.celette.com](http://www.celette.com).



COLLISION REPAIR SYSTEMS

ALIGNMENT AND STRAIGHTENING SYSTEMS

LIFTING & PULLING PLATFORM

<b>06</b> X-ONE	<b>12</b> X-TRAC	<b>20</b> VEGAMAX	
<b>BENCHES</b>			
<b>22</b> GRIFFON	<b>24</b> GRIFFON VB	<b>26</b> GRIFFON XL	<b>28</b> RHONE 4.2T
<b>30</b> RHONE L 4.2T	<b>32</b> RHONE XL	<b>34</b> SEVENNE	<b>36</b> SEVENNE XL

FLOOR STRAIGHTENING SYSTEMS

<b>38</b> SYSTEM 5000	<b>44</b> DYNO 2000
-----------------------	---------------------

ANCHORING & PULLING ACCESSORIES

<b>46</b> TETRAC + (LADDER FRAME CHASSIS)	<b>47</b> SPECIFIC ANCHORING (MERCEDES-BENZ, BMW, RENAULT)	<b>48</b> PULLING CLAMPS AND ATTACHMENTS
---	--	--

POSITIONING & ANCHORING FIXTURES

DEDICATED JIGS

<b>50</b> SYSTEM MZ+	<b>53</b> OVERHEAD GANTRY - UPPER BODY JIGS
----------------------	---

ADAPTABLE FIXTURES

<b>54</b> CAMELEON ENTRY   PLUS   PREMIUM
---

MEASURING SYSTEMS

<b>66</b> EAGLE	<b>68</b> NAJA 3D	<b>70</b> MZ CROSS
-----------------	-------------------	--------------------

## CAR MANUFACTURERS PARTNERSHIPS

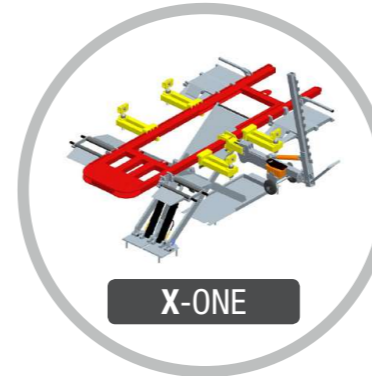
For more than half a century, Celette has been consistent in strengthening its relationship with the leading car manufacturers, which results in escalation of the approvals.

CELETTE HOMOLOGATION


CELETTE PARTNERSHIP


## ALIGNMENT AND STRAIGHTENING SYSTEMS

### LIFTING AND PULLING PLATFORM



X-ONE



X-TRAC



VEGAMAX

### BENCHES



GRIFFON



GRIFFON VB



GRIFFON XL



RHONE 4.2T



RHONE L



RHONE XL



SEVENNE



SEVENNE XL

### FLOOR STRAIGHTENING SYSTEMS



SYSTEM 5000



DYNO 2000

### ANCHORING AND PULLING ACCESSORIES



ANCHORING ACCESSORIES



PULLING ACCESSORIES

## X-ONE

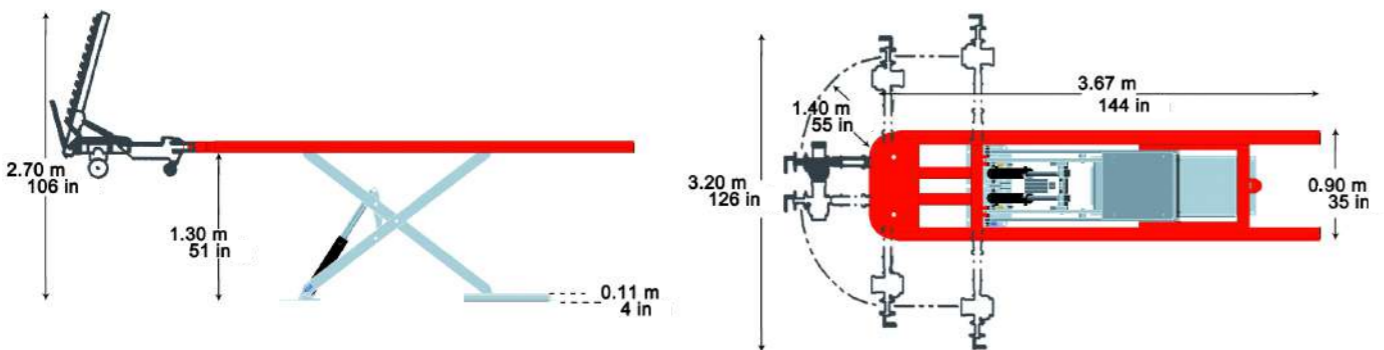
Lifting table X-ONE recommended for light, smart and quick repair

REF NO: X110.3900.x | X110.3500.x | X110.3920.x

### 2500 kg Lifting and 10 Ton Pulling platform:

X-ONE is a lifting and rapid pulling platform specially designed for light and cosmetic damage repairs. Quick loading and easy to set up to pull, electronic measuring system NAJA can be easily coupled by using NAJA adaptation kit (optional).

SMART | QUICK | EASY






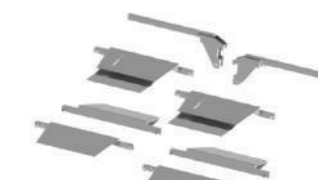

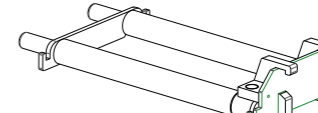




Weight : 695 Kg / 1532 lbs

## X-ONE

Lifting table X-ONE recommended for light, smart and quick repair

REF NO: X110.3900.x | X110.3500.x | X110.3920.x

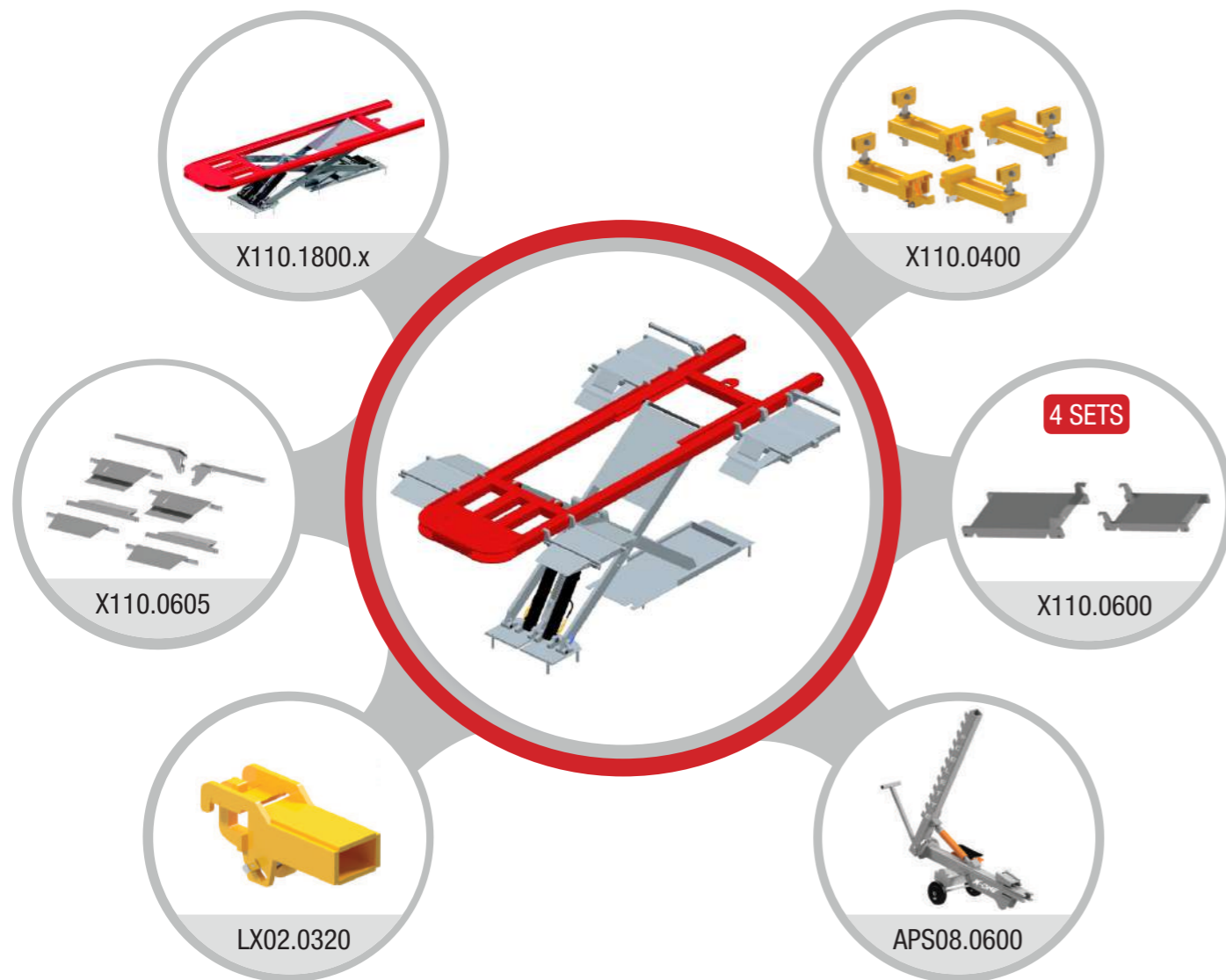
	ENTRY	NORDIC	COMPLETE
 X110.1800.x	1	1	1
 X110.0400	1	0	1
 X110.0600	4	4	2
 APS08.0600	1	0	1
 LX02.0320	1	0	1
 X110.0605	1	0	1
 X110.0609	0	1	0
 X110.0601	0	0	1
 LX02.0606	0	0	1
 LX02.0602	0	1	0

REF NUMBER	DESCRIPTION
X110.3900.x	X-ONE entry
X110.3500.x	X-ONE nordic
X110.3800.x	X-ONE complete set

### X-ONE - ENTRY

Lifting table X-ONE recommended for light, smart and quick repair

REF NO: X110.3900.x

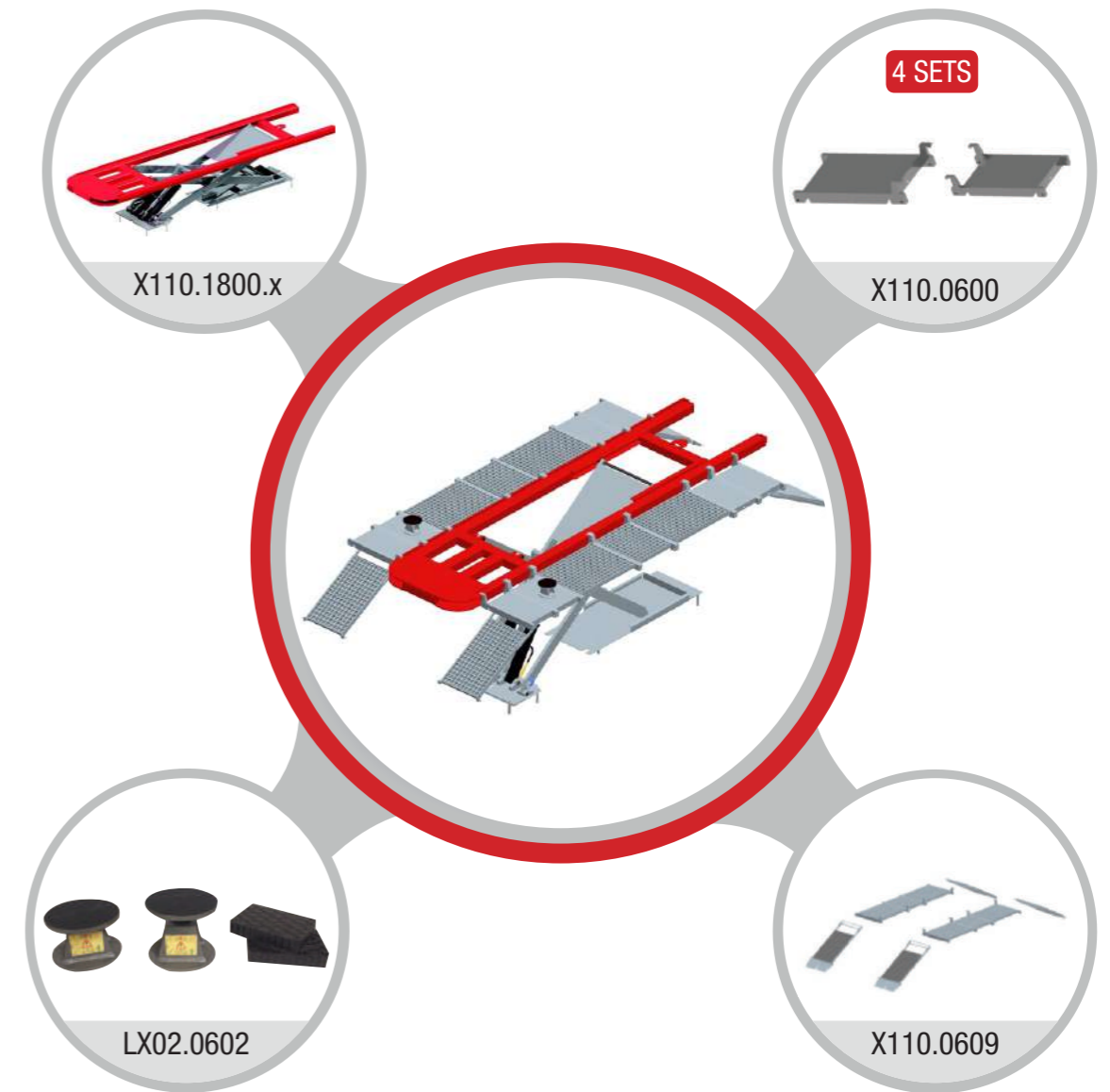


REF NUMBER	DESCRIPTION
X.110.3900.x	Entry level lifting and pulling table
REF NUMBER	DESCRIPTION
X110.1800.x	Lifting table
X110.0400	Sill clamps
X110.0600	Rigid decking plates ( X110.0600 x 4 )
APS08.0600	Pulling unit
LX02.0320	Lateral pulling accessory
X110.0605	6 Mini ramps composition

### X-ONE - NORDIC

Lifting table X-ONE recommended for light, smart and quick repair

REF NO: X110.3500.x



REF NUMBER	DESCRIPTION
X.110.3500.x	Nordic lifting and pulling table
REF NUMBER	DESCRIPTION
X110.1800.x	Lifting table
X110.0600	Rigid decking plates ( X110.0500 x 4 )
X110.0609	Runway decking plates
LX02.0602	2 Lifting plates for LYNX II

## X-ONE - DRIVE-ON

Lifting table X-ONE recommended for light, smart and quick repair

REF NO: X110.3920.x



REF NUMBER	DESCRIPTION
X.110.3800.x	Drive-on lifting and pulling table
REF NUMBER	DESCRIPTION
X110.1800.x	Lifting table
X110.0400	Sill clamps
X110.0600	Rigid decking plates ( X110.0600 x 2 )
APS08.0600	Pulling unit
LX02.0320	Lateral pulling accessory
X110.0605	6 Mini ramps composition
X110.0601	Opening wheel support (x2)
LX02.0606	Wheel positioner

## ACCESSORIES (OPTIONAL)

Lifting table X-ONE

REF NO: X110.3900.x | X110.3500.x | X110.3920.x



## X-TRAC

Lifting and pulling platform - Recommended for light and medium repair

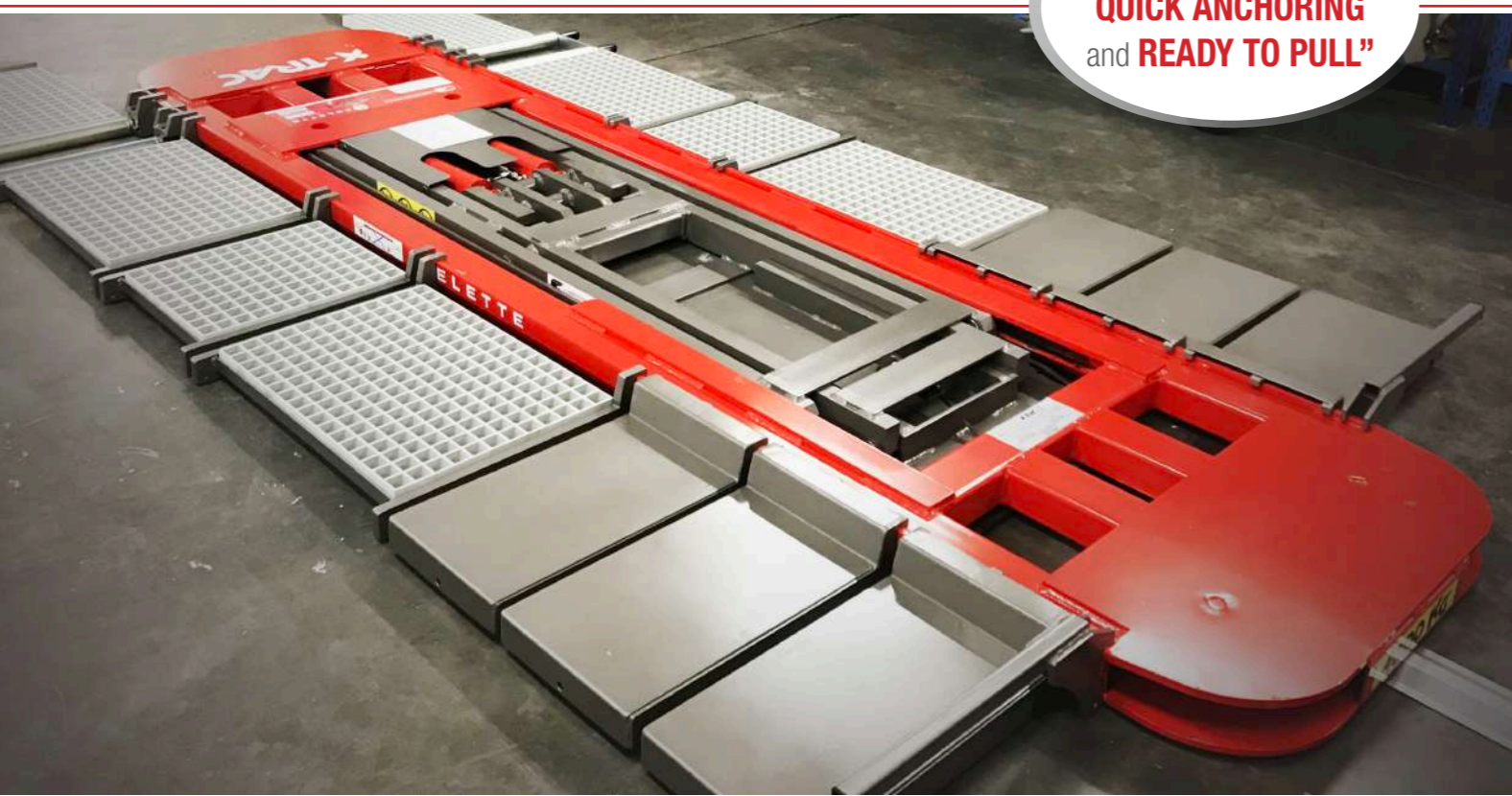
REF NO: XT14.3800.x | XT14.3500.x | XT14.3600.x



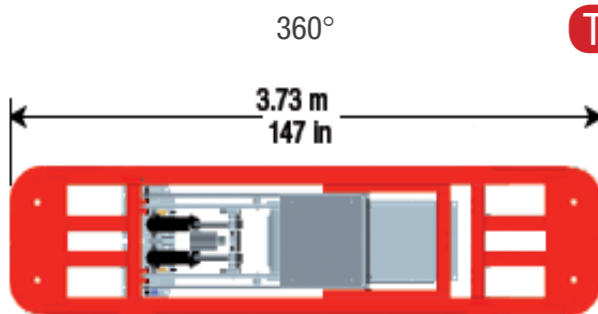
The ALL NEW X-TRAC with **4000 kg** lifting and **10 Ton** pulling capacity

X-TRAC is a lifting platform specially designed for light and medium repairs. Once the vehicle is positioned on the platform, it can be easily and rapidly lifted up by the wheels in order to enable the technician to get access to the anchoring points. X-TRAC has a secondary function, which can be used as a scissor lift for Sevenne Bench.

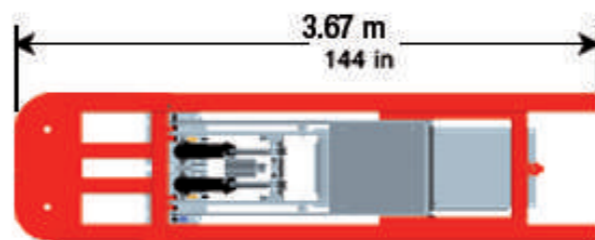
**“EASY LOADING  
QUICK ANCHORING  
and READY TO PULL”**



TOP VIEW



Regular



## X-TRAC

Lifting and pulling platform - Recommended for light and medium repair

REF NO: XT14.3800.x | XT14.3500.x | XT14.3600.x

	STANDARD	NORDIC	RAPID
XT14.1800.x X110.0400 XT14.0600 XT14.0613 XT14.0614	1 1 2 1 1	1 1 3 1 1	1 1 3 1 1
XT14.0605 X110.0609 XT14.0601 LX02.0606 LX02.0602	1 1 1 1 1	1 1 1 1 1	1 1 1 1 1

REF NUMBER	DESCRIPTION
XT14.3800.x	X-TRAC STANDARD regular
XT14.3500.x   XT14.3520.x	X-TRAC NORDIC regular and 360°
XT14.3600.x	X-TRAC RAPID regular
XT14.3000.x	X-TRAC BASIC regular

## X-TRAC

Lifting and pulling platform - Recommended for light and medium repair

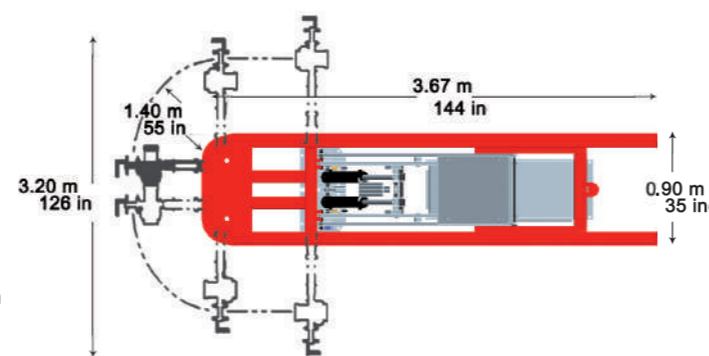
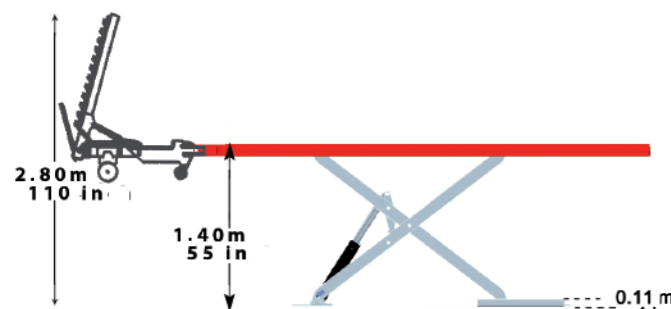
REF NO: XT14.3800.x | XT14.3500.x | XT14.3600.x

The ALL NEW X-TRAC with **4000 kg** lifting and **10 t** pulling capacity

- ▶ The Sevenne bench on wheels can be maneuvered comfortably to the desired lifting height.
- ▶ In the event of structural component replacement, **X-TRAC facilitates comfortable lifting height for Zinc primer application, Adhesive bonding, Rivetting** and easy inspection.
- ▶ X-TRAC provides a better working height during cutting and welding applications while the car is benched on Sevenne.



OPTIONAL

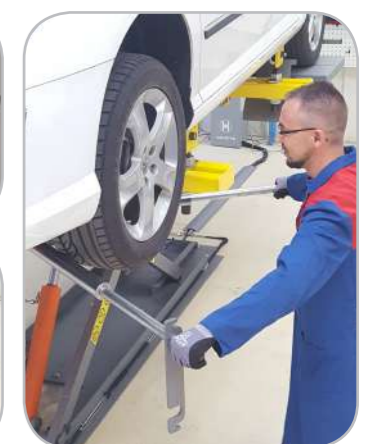
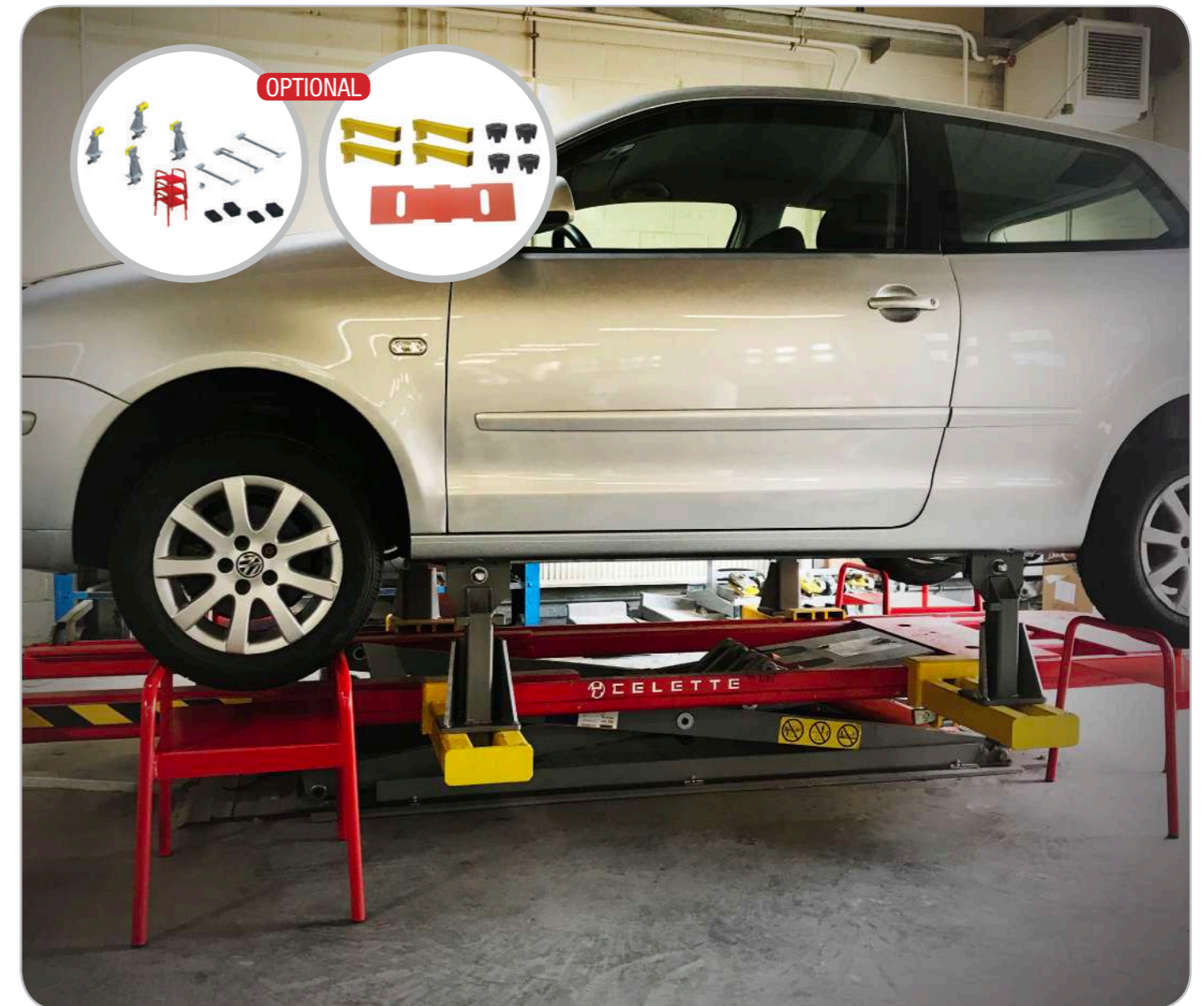


Weight : 1064 Kg / 2346 lbs

## X-TRAC

Lifting and pulling platform - Recommended for light and medium repair

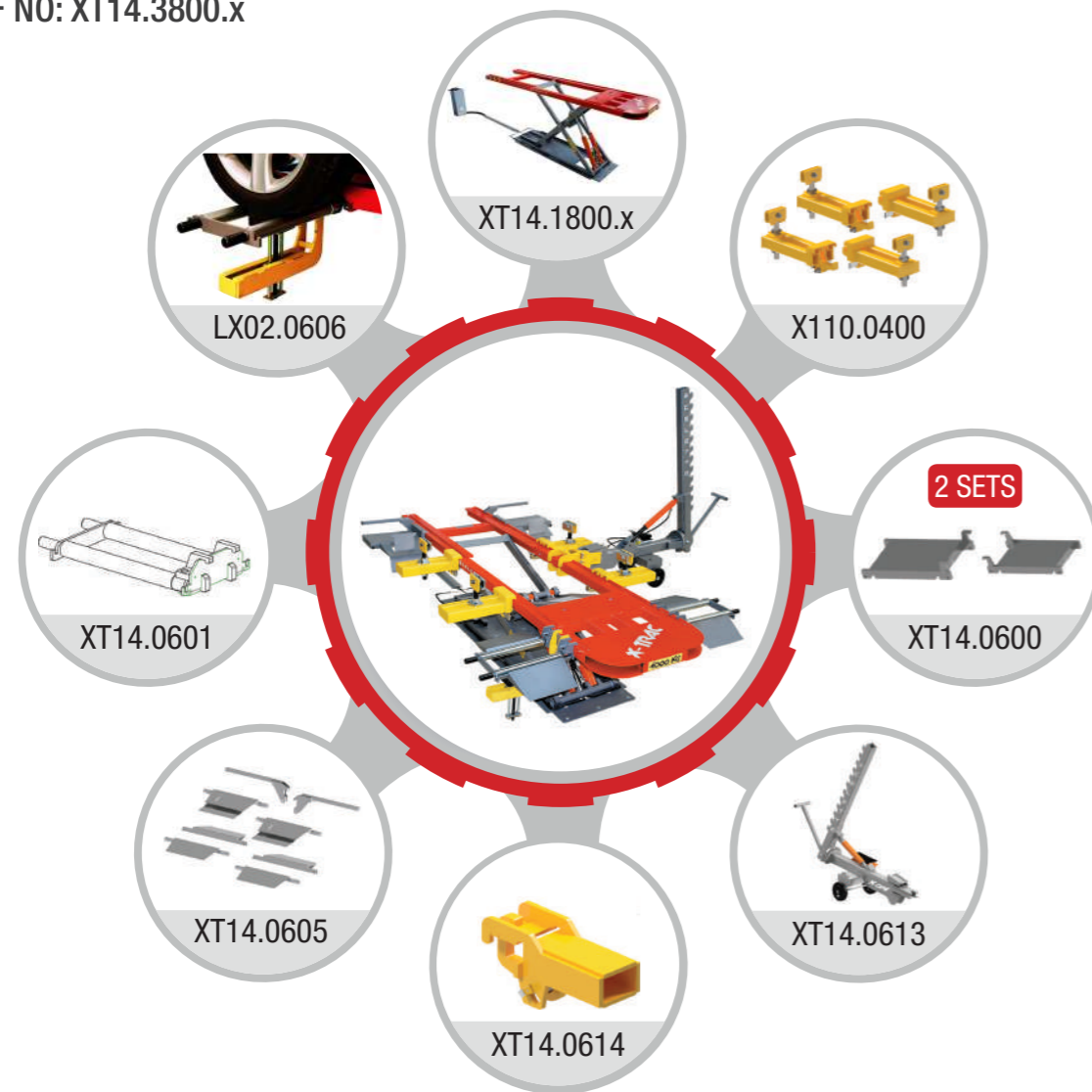
REF NO: XT14.3800.x | XT14.3500.x | XT14.3600.x



### X-TRAC - STANDARD

Lifting and pulling platform - Recommended for light and medium repair

REF NO: XT14.3800.x



REF NUMBER	DESCRIPTION
XT14.3800.x	X-TRAC STANDARD
REF NUMBER	DESCRIPTION
XT14.1800.x	Lifting table
X110.0400	Sill clamps
XT14.0600	Rigid decking plates (x2)
XT14.0613	Pulling unit
XT14.0614	Lateral pulling accessory
XT14.0605	6 Mini ramps composition
XT14.0601	Opening wheel support (x2)
LX02.0606	Wheel positioner

### X-TRAC - NORDIC

Lifting and pulling platform - Recommended for light and medium repair

REF NO: XT14.3500.x



REF NUMBER	DESCRIPTION
XT14.3500.x	X-TRAC NORDIC regular
XT14.3520.x	X-TRAC NORDIC 360°
REF NUMBER	DESCRIPTION
XT14.1800.x	Lifting table
XT14.0600	Rigid decking plates (x3)
X110.0609	Runway decking plates
LX02.0602	2 Lifting plates for LYNX II

**AVAILABLE  
IN 360°  
VERSION**

## X-TRAC - RAPID

Lifting and pulling platform - Recommended for light and medium repair

REF NO: XT14.3600.x



REF NUMBER	DESCRIPTION
XT14.3600.x	X-TRAC RAPID
REF NUMBER	DESCRIPTION
XT14.1800.x	Lifting table
X110.0400	Sill clamps
XT14.0600	Rigid decking plates (x3)
XT14.0613	Pulling unit
XT14.0614	Lateral pulling accessory
X110.0605	6 Mini ramps composition
X110.0601	Opening wheel support (x2)

## ACCESSORIES (OPTIONAL)

Lifting and pulling platform X-TRAC

REF NO: XT14.3800.x | XT14.3500.x | XT14.3600.x

## VEGAMAX

Rack for the repair of frame and unibody vehicles

REF NO: VGX.5000 | VGX.6000

VEGAMAX is a straightening rack equipped with 2 pulling towers with hydropneumatic pumps, rams and chains, with the capability of 360° around the rack. The system is lifted hydraulically and is delivered with 4 anchoring blocks and other accessories dedicated for frame and unibody vehicles. Vegamax is available in 2 variants 17.22 ft and 21.17 ft.

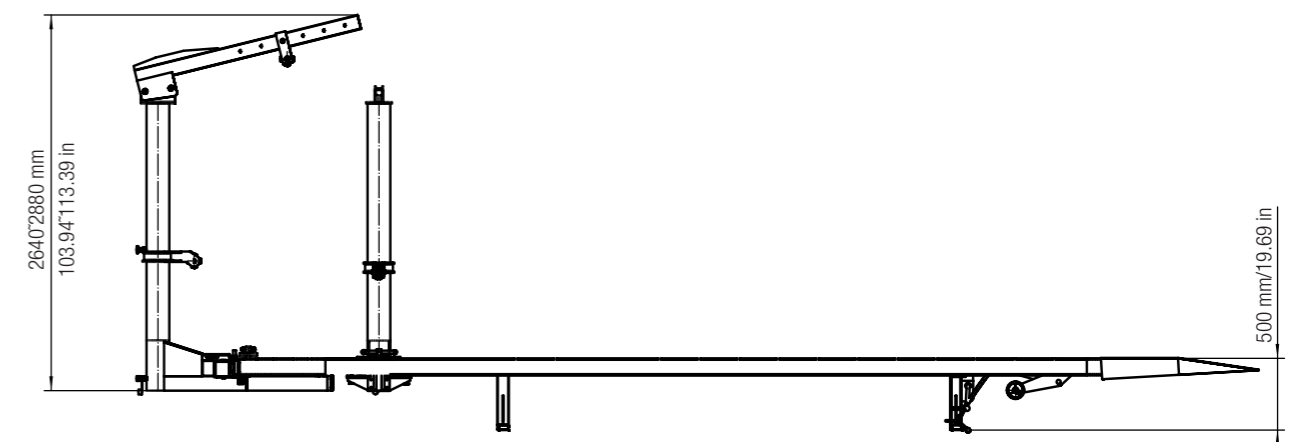
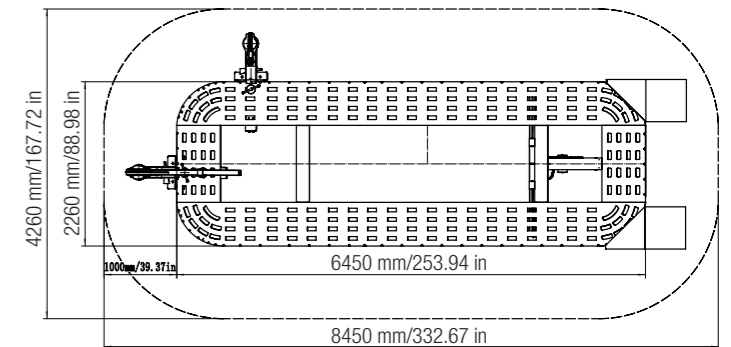
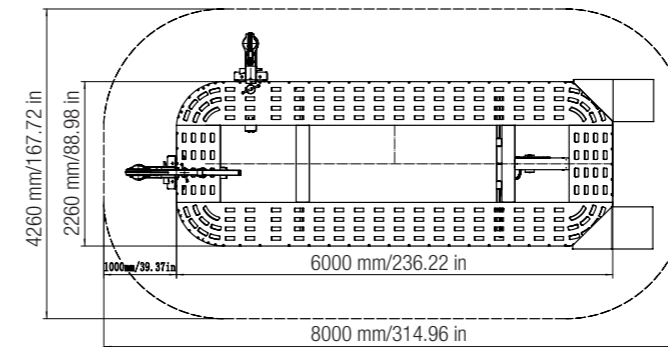


Exclusively designed for ladder frame type vehicles, 6.5 m long frame rack is capable to accommodate all the light commercial vehicles and pick-up's.

## VEGAMAX

Rack for the repair of frame and unibody vehicles

REF NO: VGX.5000 | VGX.6000



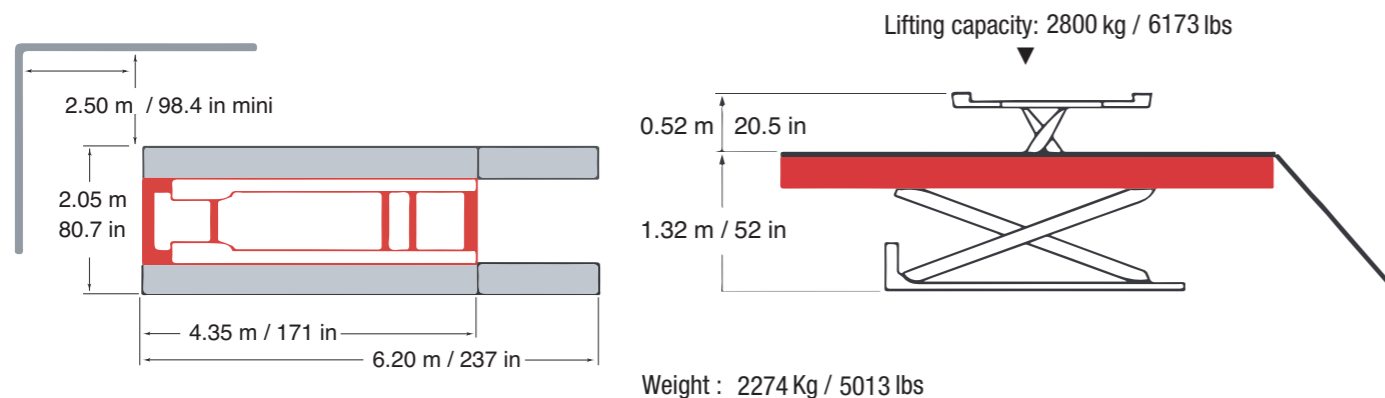
## GRIFFON

Drive-on bench with secondary lifting system

REF NO: GR16F.38021. x

Griffon is a drive-on bench with a **2800 kg** lifting system using a running decking plate. Dismantling the anchoring clamps and cross-members is not required while positioning the vehicle. The inner lifting system is operated by means of a remote control device.

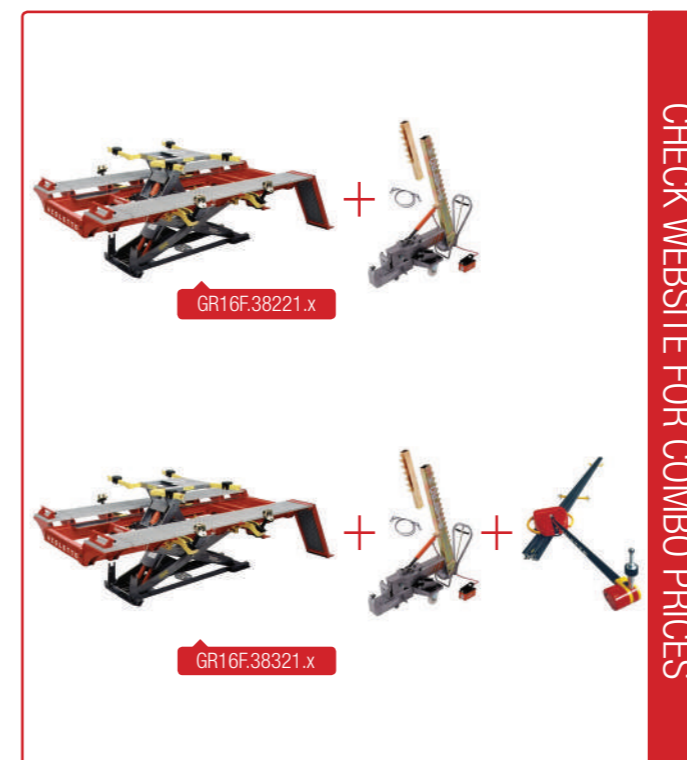
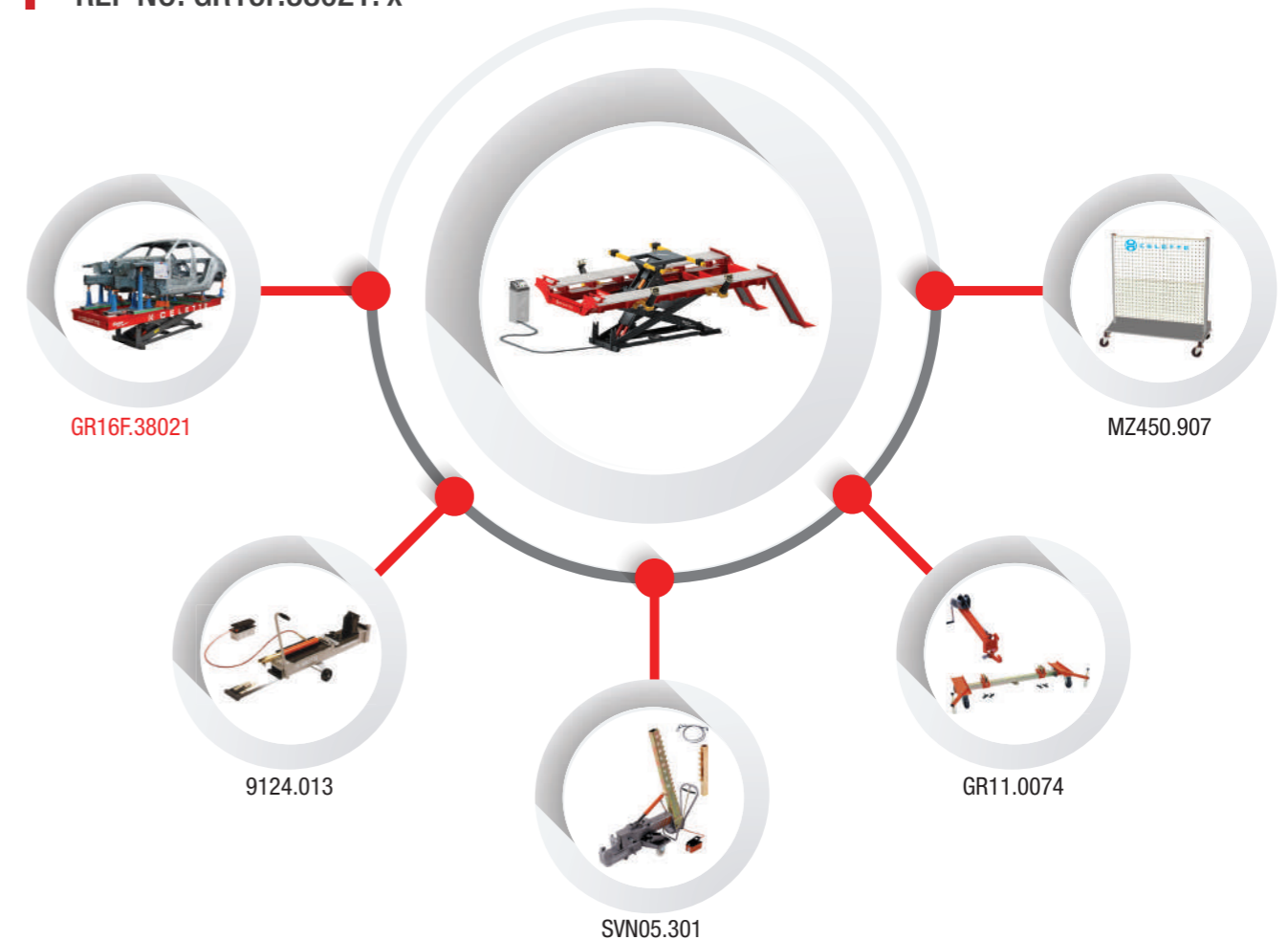
Only a part of the runway decking plate (light but solid; made of composites) needs to be removed if the repairing process requires it. Extra heavy duty pulling unit with **10 Ton** capacity.



## GRIFFON

Drive-on bench with secondary lifting system

REF NO: GR16F.38021. x



CHECK WEBSITE FOR COMBO PRICES

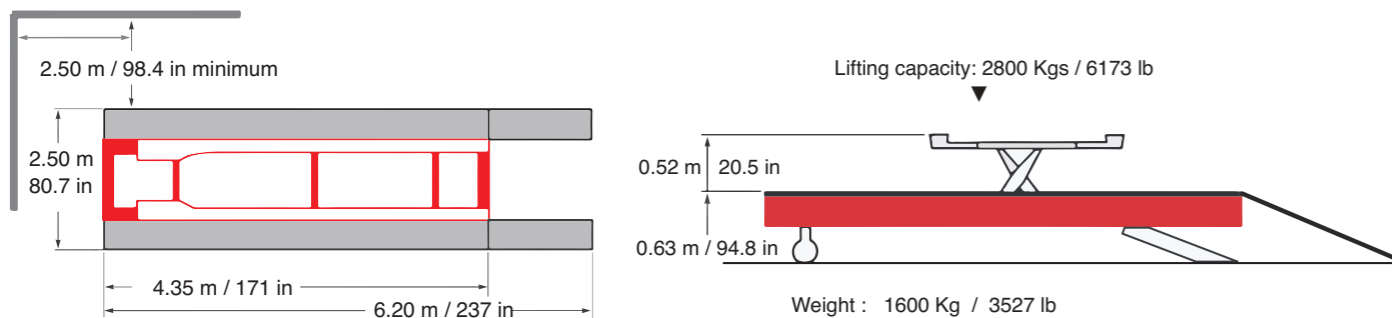
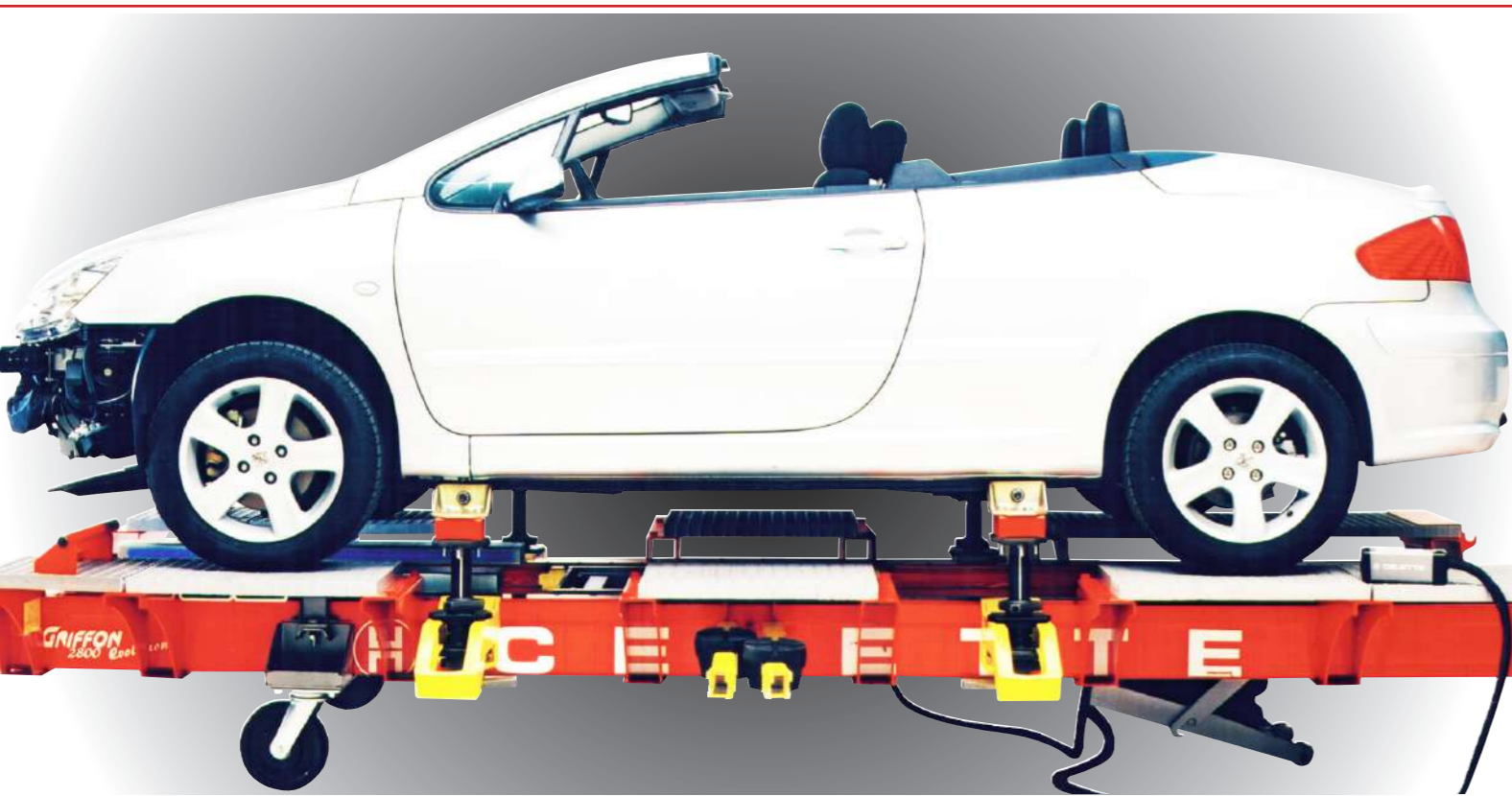
REF NUMBER	DESCRIPTION
GR16F.38021. x	Lifting bench + hydraulic power unit + inner lift + anchoring clamps + runway decking plates + drive-on ramps
GR16F.38221. x	Lifting bench (double entry) + hydraulic power unit + inner lift + anchoring clamps + runway decking plates + sevenne pulling unit
GR16F.38321. x	Lifting bench (double entry) + hydraulic power unit + inner lift + anchoring clamps + runway decking plates + sevenne pulling unit + electronic measuring system NAJA 3D
REF NUMBER	OPTIONAL ACCESSORIES
MZ450.907	Accessories storage trolley
GR11.0074	Trolley to position the vehicle on the bench
SVN05.301	Sevenne pulling unit
9124.013	Supplementary vector pulling unit

## GRIFTON VB

Mobile cum drive-on bench with integrated inner lifting system

REF NO: GR05F.2022

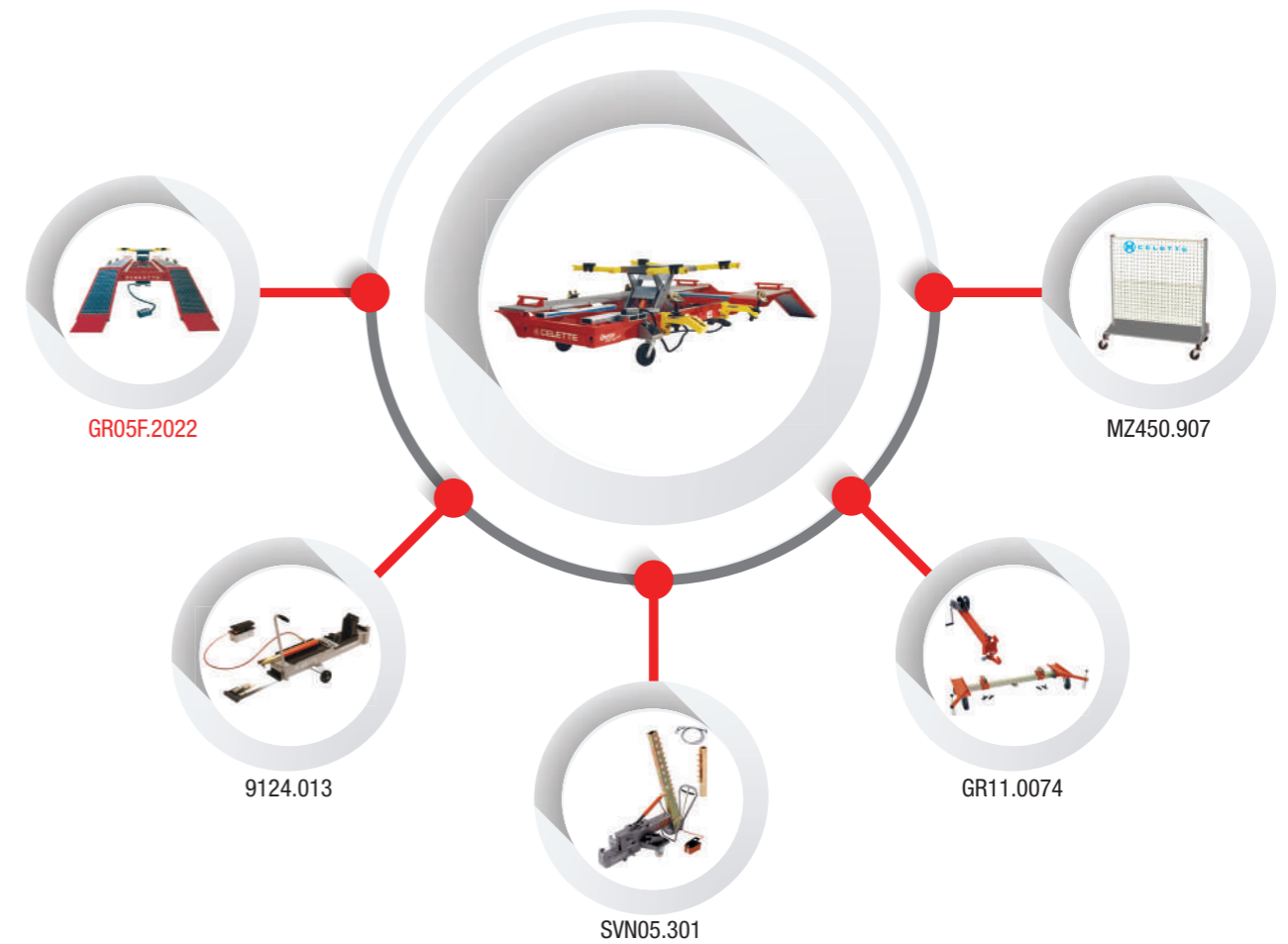
Griffon VB is a mobile cum drive-on bench that enables you to organize any work bay into a straightening area. The bench remains mobile with the vehicle in position, thanks to the castor wheels. This bench is equipped with an inner lifting unit which can be operated by means of a remote control system.



## GRIFTON VB

Mobile cum drive-on bench with integrated inner lifting system

REF NO: GR05F.2022



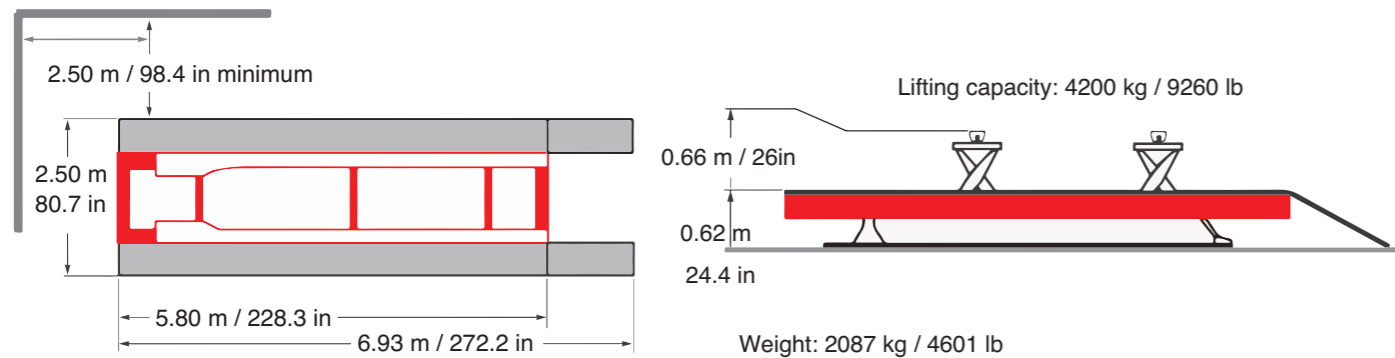
REF NUMBER	DESCRIPTION
GR05F.2022	Bench + hydraulic power unit + inner lift + 4 anchoring clamps+ runway decking plates
REF NUMBER	OPTIONAL ACCESSORIES
MZ450.907	Accessories storage trolley
GR11.0074	Trolley to position the vehicle on the bench
SVN05.301	Sevenne pulling unit
9124.013	Supplementary vector pulling unit

## GRIFFON XL

Extra long bench with twin lifting system

REF NO: GXL08.5812.x

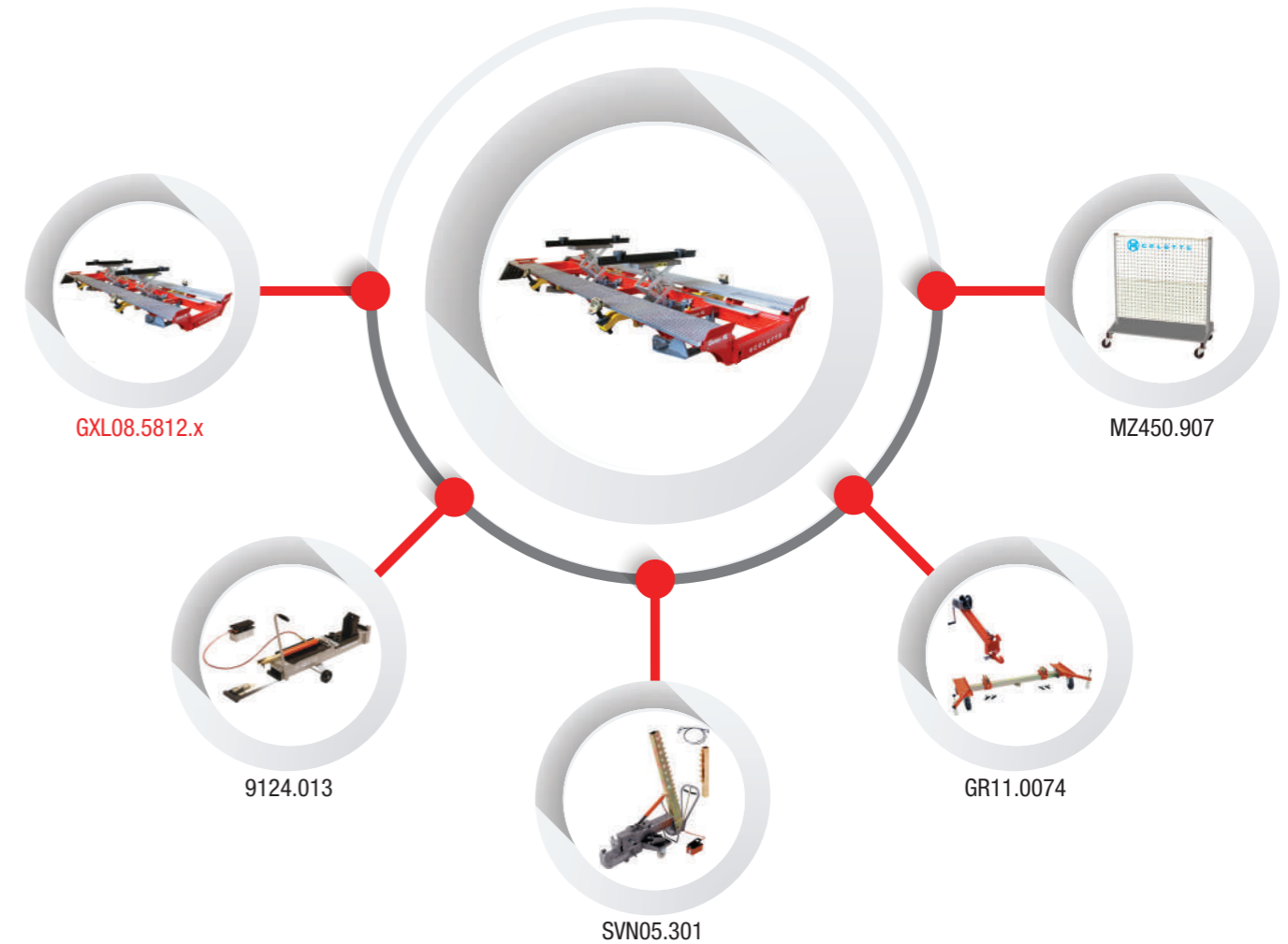
5.8 m long bench GRIFFON XL is specially designed for repairing commercial vehicles and SUV. This length enables you to complete simultaneous repairs at both the front and rear of the vehicle. This bench is supplied with 2 independent inner lifting units and a hydraulic tilting system.



## GRIFFON XL

Extra long bench with twin lifting system

REF NO: GXL08.5812.x



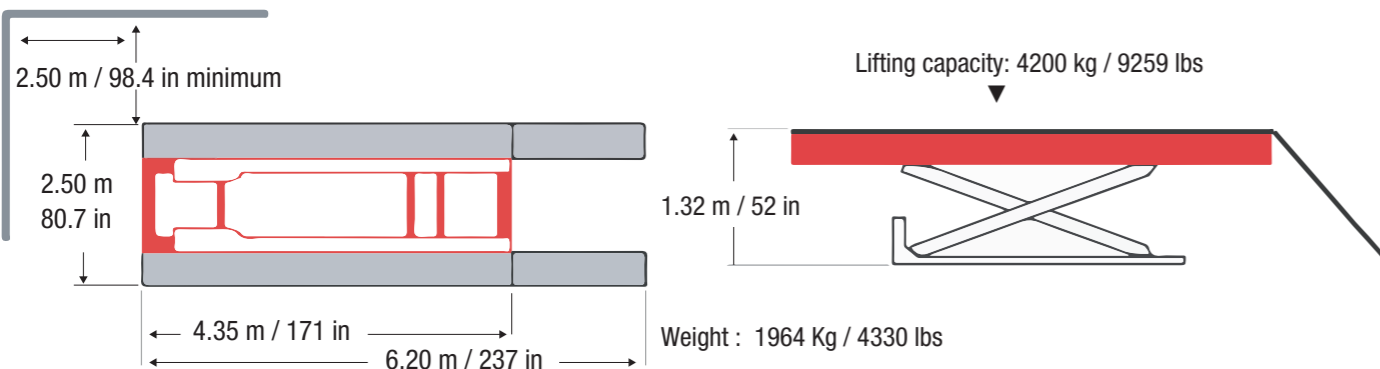
REF NUMBER	DESCRIPTION
GXL08.5812.x	Bench + Hydraulic power unit + 2 inner lifts + 4 anchoring clamps + runway decking plates + rear lifting unit
REF NUMBER	OPTIONAL ACCESSORIES
MZ450.907	Accessories storage trolley
GR11.0074	Trolley to position the vehicle on the bench
SVN05.301	Sevenne pulling unit
9124.013	Supplementary vector pulling unit

## RHONE 4.2T

Drive-on bench with scissor lift

REF NO: RH18M.4220.x

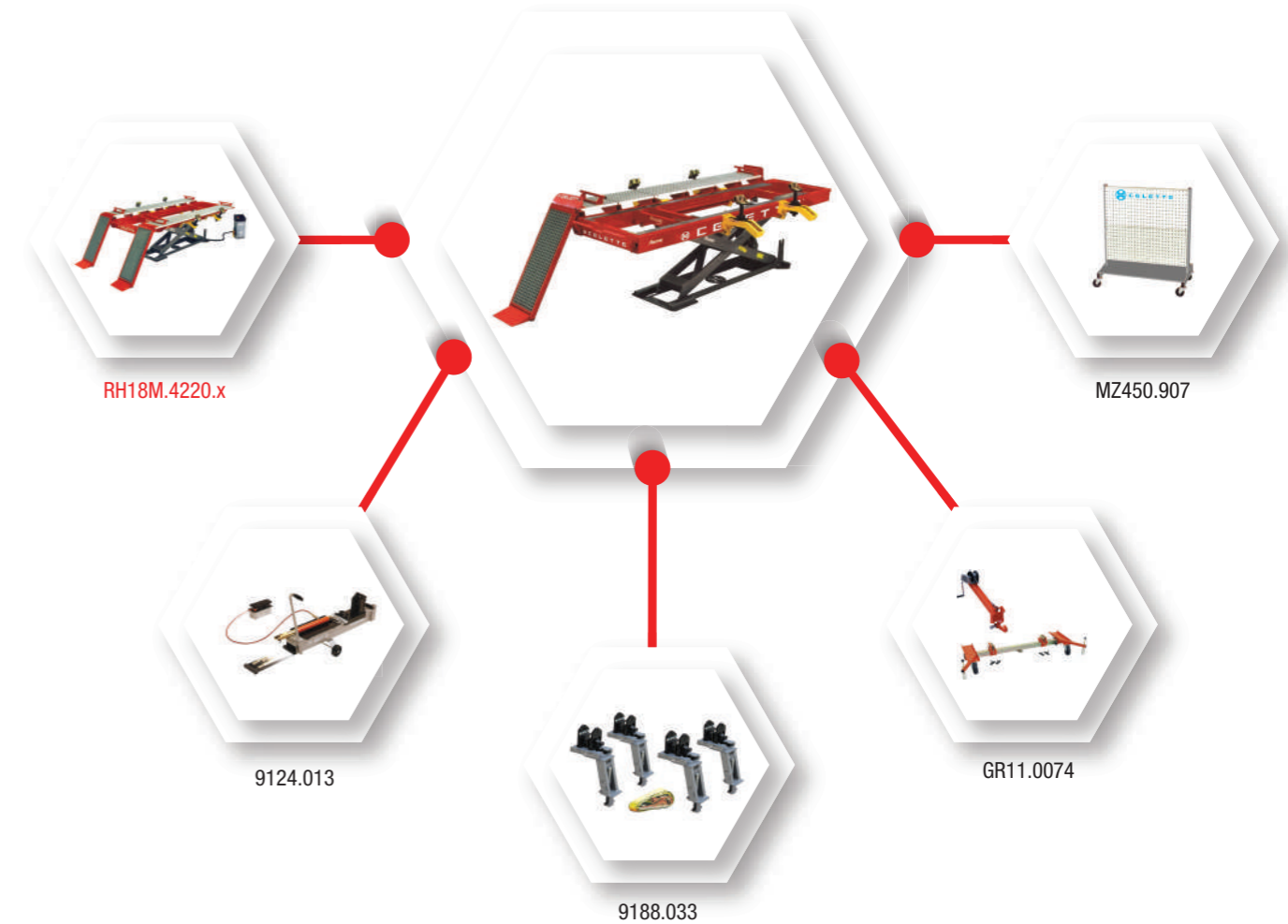
Rhone drive-on bench has been upgraded with a lifting capacity of 4200 kg and 1.32 m height. The most versatile bench facilitate quick diagnosis and straightening with MZ/MZ+ and Cameleon universal bracket sets, pre and post repair reports can be obtained with Celette measuring systems. Thanks to the Celette vehicle loading trolley which enable you to load the damaged vehicles.



## RHONE 4.2T

Drive-on bench with scissor lift

REF NO: RH18M.4220.x



AVAILABLE IN 2.8 & 4.2T LIFTING CAPACITY



CHECK WEBSITE FOR COMBO PRICES

REF NUMBER	DESCRIPTION
RH16M.28221.x RH18M.4221.x	Drive-on bench + hydraulic power unit + 4 anchoring clamps + runway decking plates (composite) + 2 mobile stands + pulling unit
RH16N.38221.x RH18N.4221.x	Drive-on bench + Hydraulic power unit + 4 anchoring clamps + runway decking plates (composite) + 2 mobile stands + pulling unit + electronic measuring system NAJA 3D
REF NUMBER	OPTIONAL ACCESSORIES
MZ450.907	Accessories storage trolley
GR11.0074	Trolley to position the vehicle on the bench
9188.033	Tool to hold the chassis vehicle
9124.013	Supplementary vector pulling unit (10 ton) + extension + safety cable

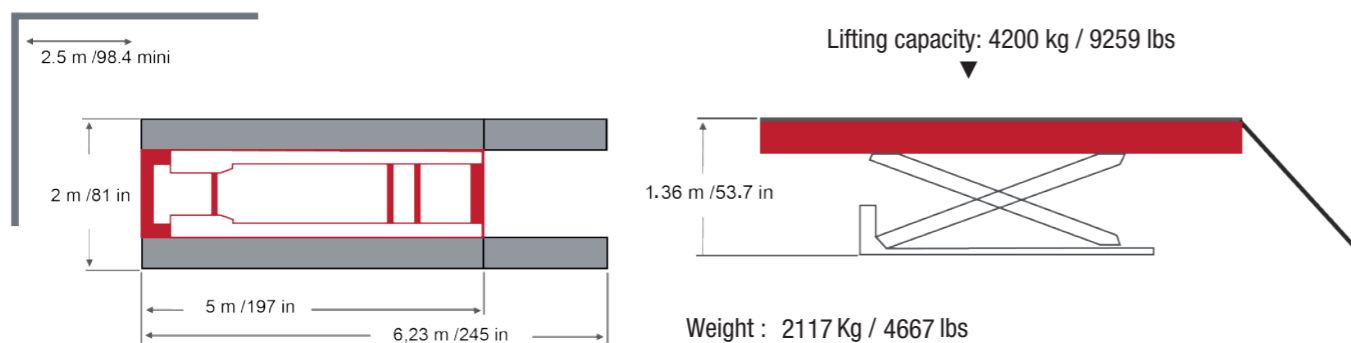
## RHONE L 4.2T

5-meter-long drive-on bench with scissor lift facilitates quick loading

REF NO: RH18LM.4220.x



Rhone L is the longer version of Rhone drive-on bench with 5 m long and enhance lifting capacity of **4200 kg**. Maximum lifting height is 1.36 m. Recommended for long wheel base vehicle. The detachable ram's provides better access to the vehicle while pulling and measuring.



## RHONE L 4.2T

5-meter-long drive-on bench with scissor lift facilitates quick loading

REF NO: RH18LM.4220.x



REF NUMBER	DESCRIPTION
RH18LM.4220.x	Rhone L 4.2T Drive-on bench + hydraulic power unit + 4 anchoring clamps + runway decking plates (steel) + 2 mobile stands
RH18LM.4221.x	Rhone L 4.2T Drive-on bench + hydraulic power unit + 4 anchoring clamps + runway decking plates (steel) + 2 mobile stands + pulling unit
RH18LN.4221.x	Rhone L 4.2T Drive-on bench + hydraulic power unit + 4 anchoring clamps + runway decking plates (steel) + 2 mobile stands + pulling unit + electronic measuring systems NAJA 3D
REF NUMBER	OPTIONAL ACCESSORIES
MZ450.907	Accessories storage trolley
T10S1	Hydraulic set 10 T
SVN05.301	Sevenne pulling unit
9124.013	Supplementary vector pulling unit

## RHONE XL

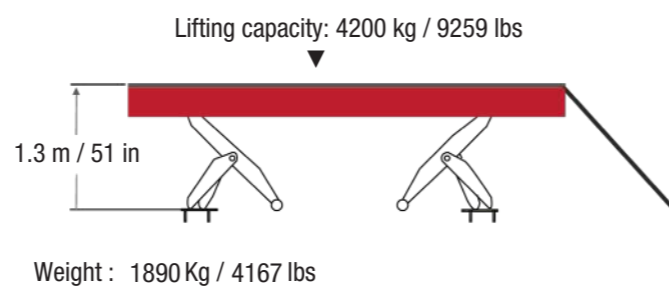
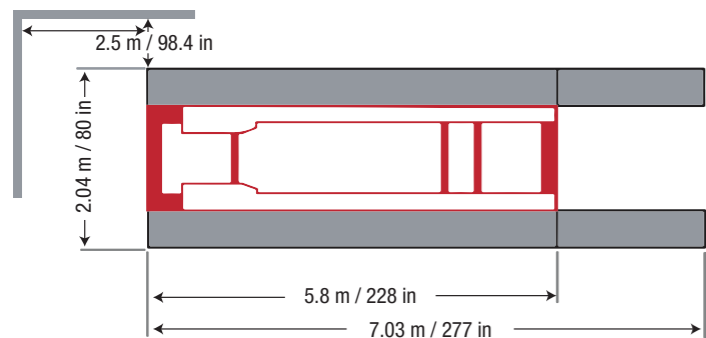
5.8 m extra long drive-on bench with double scissor lift

REF NO: RH18XLM.4220.x



Rhone XL is an extra long bench with **4200 kg** lifting capacity to repair all types of light commercial vehicles and long wheel base passenger cars. The unique feature of this bench is the lifting height of 1.3 m that enables you to work at a very comfortable height for better productivity.

**“EXTRA LONG BENCH WITH 1.3 M WORKING HEIGHT”**



## RHONE XL

5.8 m long drive-on bench with double scissor lift

REF NO: RH18XLM.4220.x



CHECK WEBSITE FOR COMBO PRICES

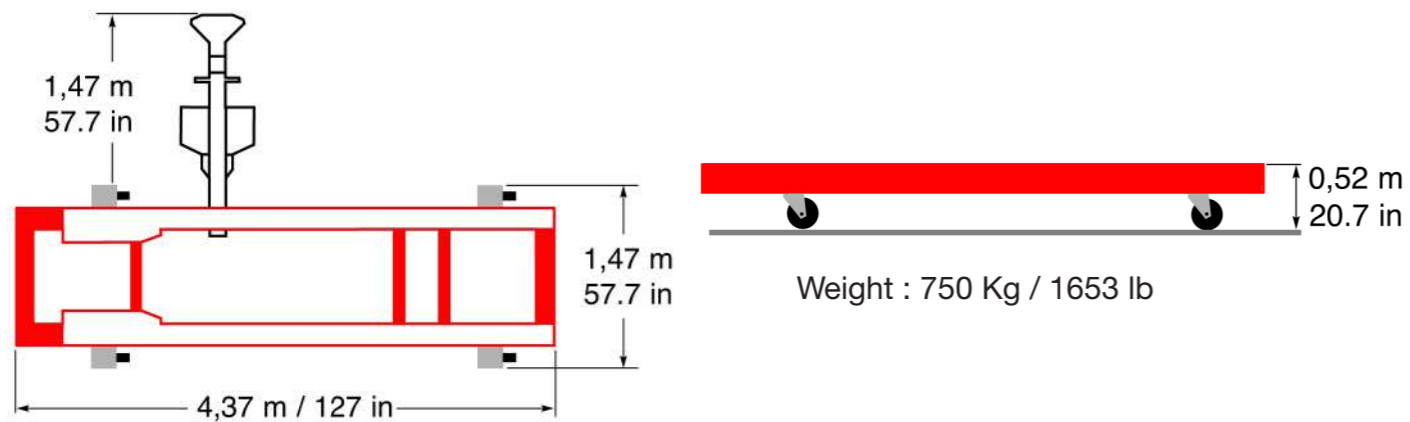
REF NUMBER	DESCRIPTION
RH18XLM.4220.x	Bench + 4 anchoring clamps + axle stands + drive-on ramps + Hydraulic power unit + Hydraulic lift with safety lock
RH18XLM.4221.x	Bench + 4 anchoring clamps + axle stands + drive-on ramps + Hydraulic power unit + Hydraulic lift with safety lock + pulling unit
RH18XLN.4220.x	Bench + 4 anchoring clamps + axle stands + drive-on ramps + Hydraulic power unit + Hydraulic lift with safety lock + pulling unit + NAJA 3D
REF NUMBER	OPTIONAL ACCESSORIES
9121.523	Support multifunction
CSK.15111	Kit for multiple pullings
SVN05.301	Sevenne pulling unit (10 ton) + extension + safety cable
9124.013	Supplementary vector pulling unit

## SEVENNE

Complete mobile bench on wheels

REF NO: SVN17.3212

Sevenne is a universal mobile bench, which can be upgraded to Rhone or Griffon. The anchoring can be achieved all around the bench, thanks to its peripheral frame for quick fixing of wheels, clamps; multi-function supports; and a steering handle.



## SEVENNE

Complete mobile bench on wheels

REF NO: SVN17.3212



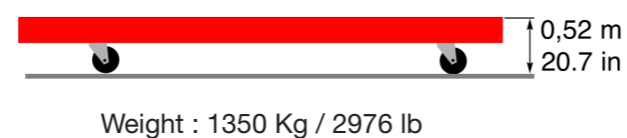
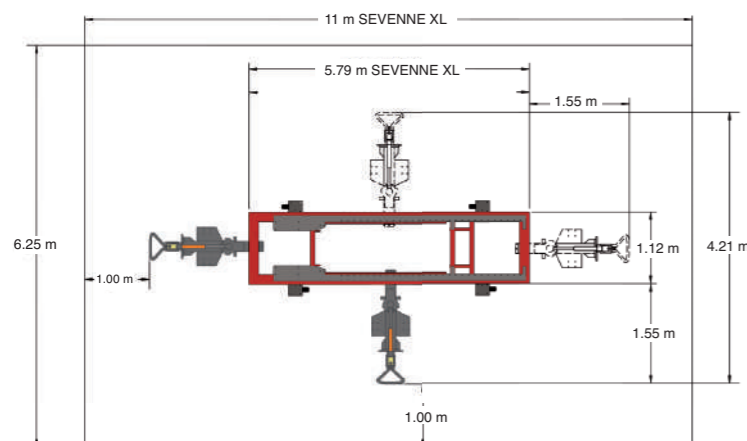
REF NUMBER	DESCRIPTION
SVN17.3212	Bench + 4 anchoring clamps + pulling unit + storage trolley + cable + extension
REF NUMBER	OPTIONAL ACCESSORIES
9121.523	Multi-function support
CSK.15111	Pulling kit
ROLL.100	Trolley displacement
SC.40014	4 Ton hydraulic kit
9124.013	Supplementary vector pulling unit
9121.533	Steering handle

## SEVENNE XL

Extra long mobile bench on wheels

REF NO: SVN09XL.3112

Extended length bench on wheels is specially designed for repairing larger commercial vehicles. The key feature of this bench allows to position under a 2-post lift for loading and to easily move between work bays. The 5.8 m (19 ft) length is suitable for light trucks and commercial vehicles. The universal peripheral frame enables quick anchoring; adjustment of the clamps, wheels, transport handle; and multi-function supports.



## SEVENNE XL

Extra long mobile bench on wheels

REF NO: SVN09XL.3112



REF NUMBER	DESCRIPTION
SVN09XL.3112	Bench + 4 anchoring clamps + pulling unit + storage trolley
REF NUMBER	OPTIONAL ACCESSORIES
9121.523	Multi-function support
CSK.15111	Pulling kit
ROLL.100	Trolley displacement
SC.40014	4 Ton hydraulic kit
9124.013	Supplementary vector pulling unit
9121.533	Steering handle

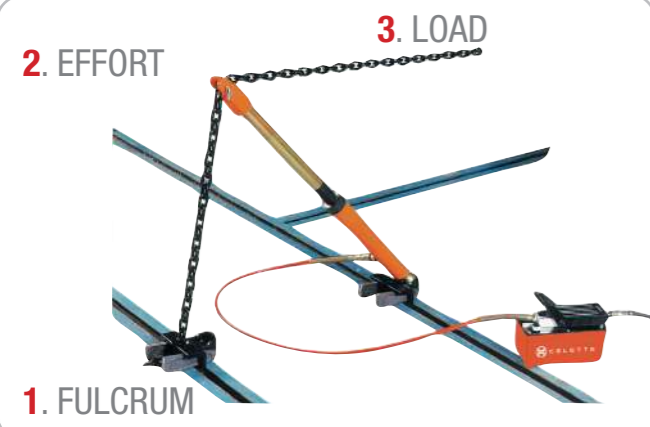
## SYSTEM 5000

Floor repair system - 3 point composition

System 5000 is composed of modular rails built into the floor. It can be adapted to various workshops. The following 2 pulling systems are available :

1. SYSTEM 3P
2. DYNO 2000 (For light commercial vehicle)

**IN SITUATION:**  
PULL + PUSH + VECTOR



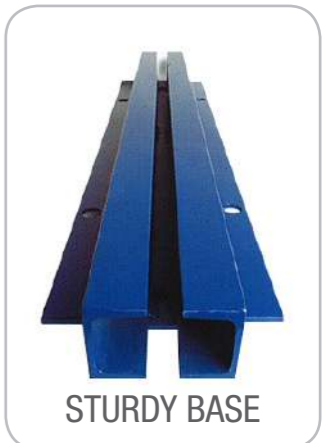
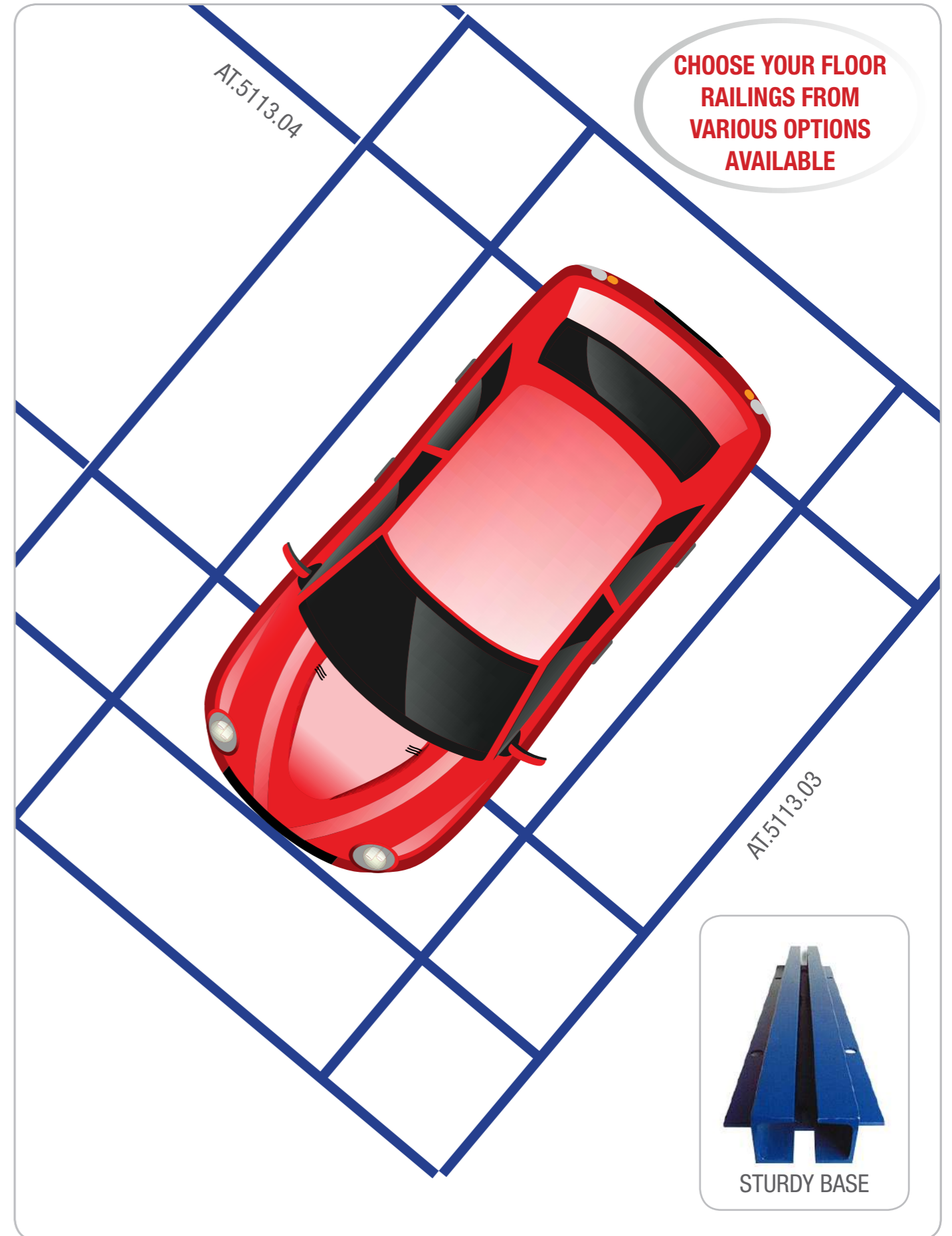
### WHAT IS 3 P?

3 Point composition is a very simple floor system used to hold and pull the vehicle in the desired direction by using the rails as **FULCRUM**, the cylinder as **EFFORT** and **LOAD** at the clamps

### BUILD YOUR OWN COMPOSITION:

- STEP 1** ▶ Choose your floor railings
- STEP 2** ▶ Select the anchoring clamp
- STEP 3** ▶ Choose your desired pulling accessories

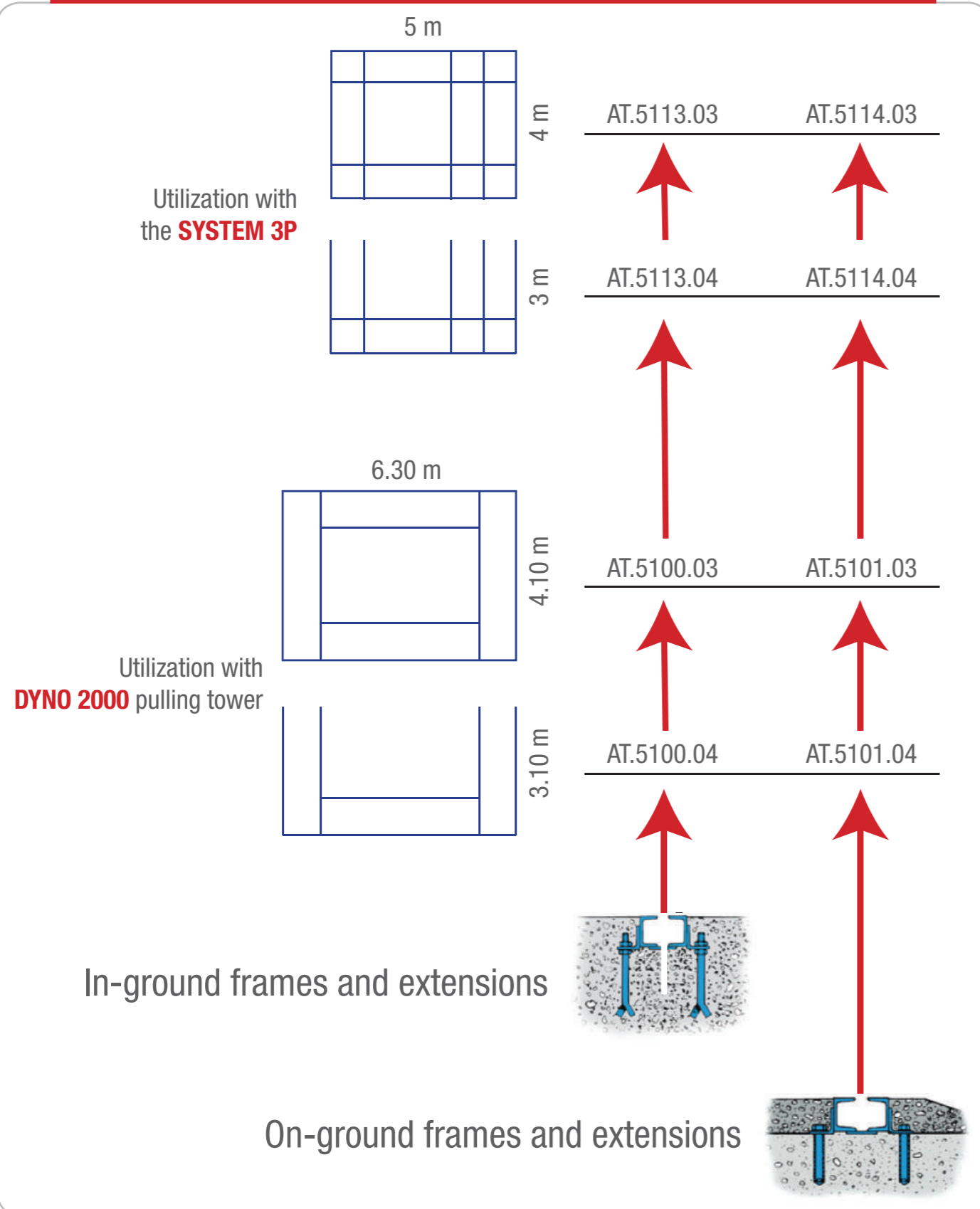
**CHOOSE YOUR FLOOR RAILINGS FROM VARIOUS OPTIONS AVAILABLE**



# SYSTEM 5000

Floor repair system - 3 point composition

## MODULAR ANCHORING FRAMES FOR FLOOR SYSTEMS



# SYSTEM 5000

Floor repair system - 3 point composition

## ANCHORING CLAMPS

9188.013

AT.5976.AS

AT.5976.B1

**PULLING ACCESSORIES:**

CSK.15111

CSK.15301

CSK.15311

CSK.15501

CAT.700GB

## SYSTEM 5000

Floor repair system - 3 point composition

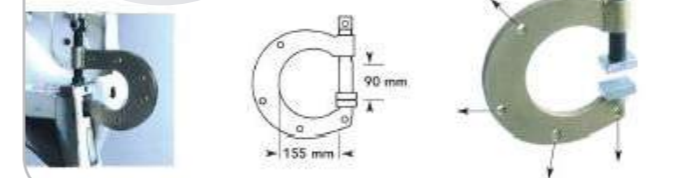
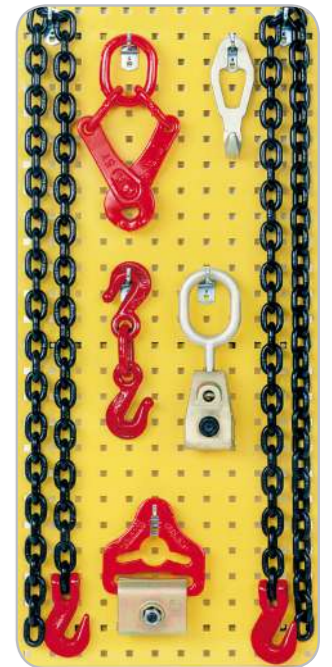
REF NO: OCS.0630

RECOMMENDED PULLING ACCESSORIES WITH FLOOR TYPE COLLISION REPAIR SYSTEM - FOR MULTIPLE PULLING OPERATIONS



## PULLING CLAMPS AND ATTACHMENTS

SYSTEM 3P | DYNO 2000



## DYNO 2000

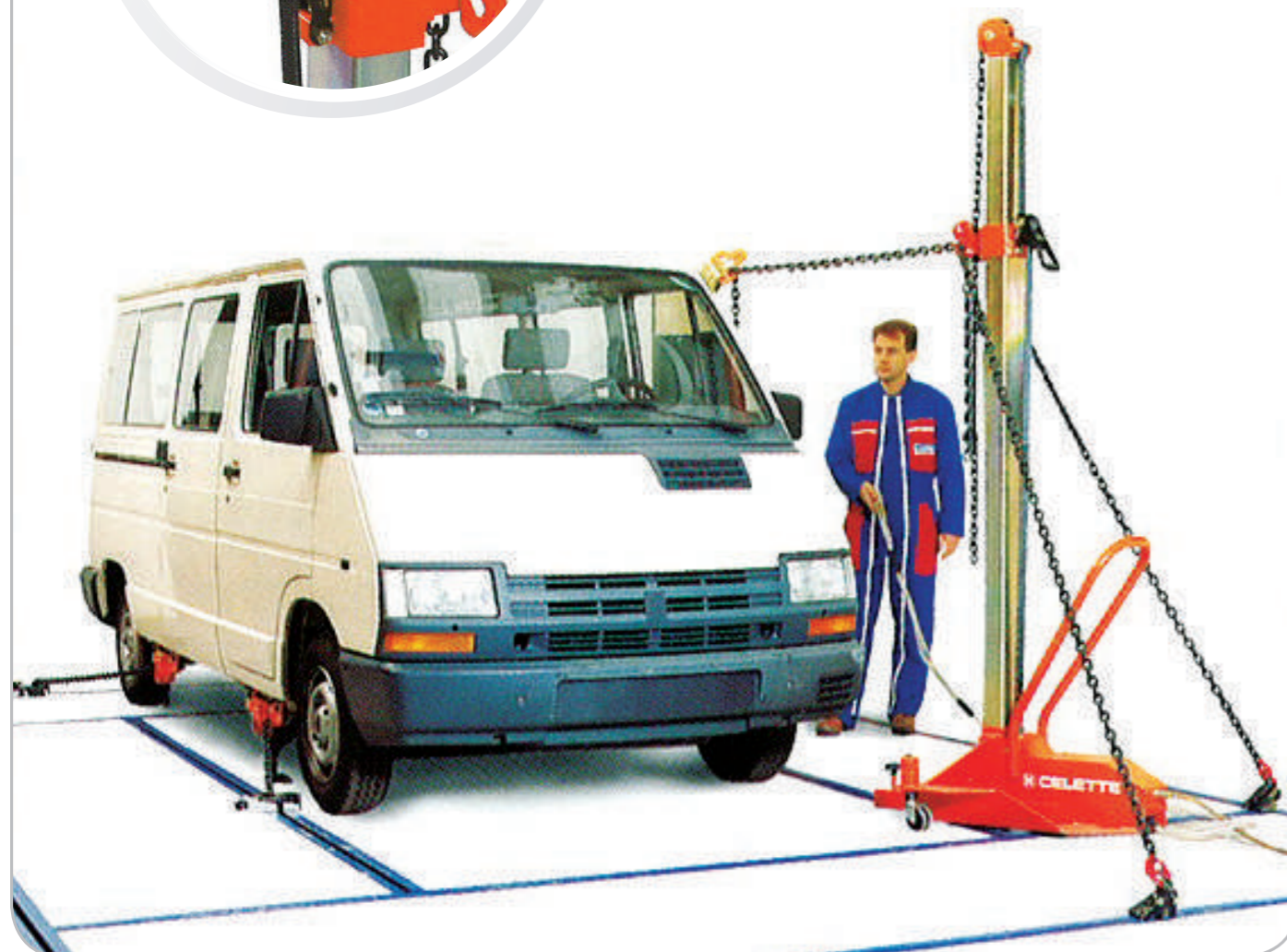
Pulling tower for floor system - Light commercial vehicle

REF NO: TDN.2612

The pulling tower Dyno 2000 is mobile, powerful and compact. It can be quickly adjusted to different heights and is supplied with a remote control to ease the operations. Dyno 2000 is equipped with a 10T pulling ram and a hydro-air pump that enables equal pulling force at all heights.



Ultra-rapid adjustment in height



## DYNO 2000

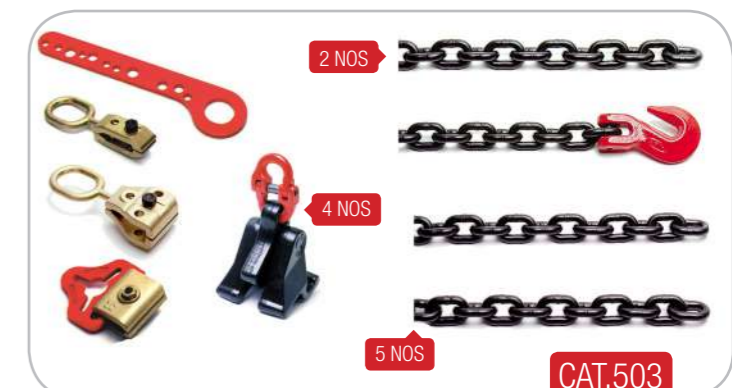
Pulling tower for floor system - Light commercial vehicle

REF NO: TDN.2612



### FEATURES:

- ▶ Pulling force available at all heights
- ▶ Multiple pulling angles
- ▶ Longer ram stroke (19.6 in)
- ▶ Integrated ram and hydro-air pump
- ▶ Quick and easy height setting
- ▶ Remote control for easy and safe working conditions
- ▶ Fast anchoring by means of self-locking system
- ▶ Weight: 375 lb (170 kgs)
- ▶ Height: 102 in ( 2.60 m)



REF NUMBER	DESCRIPTION
TDN.2612	Pulling tower
CAT.508	Traction compound
CAT.590	Anchoring set

## TETRAC +

Tool to hold the chassis vehicle

REF NO: 9188.033

Tetrac+ can be adapted to the Celette benches, Vegamax and the floor system.  
Tetrac+ has a set of 4 clamps and a ratchet strap (multiple adaptors for axle mounting).



REF NO: 9188.033

## SPECIFIC ANCHORING

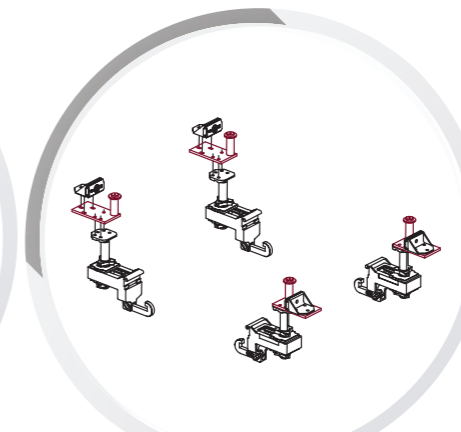
MB, BMW, RENAULT and NISSAN Anchoring

REF NO: AN.34.S | AN36.03 | 9212.013

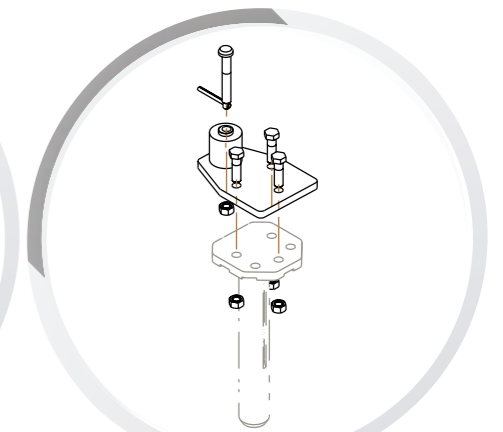
Anchoring dedicated for BMW | Renault Megane, Scenic II and III | Mercedes BENZ



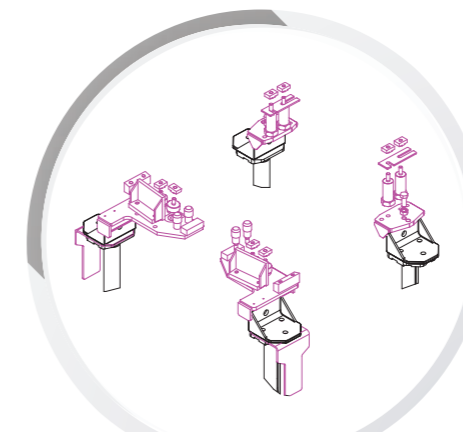
REF NO: AN.34.S



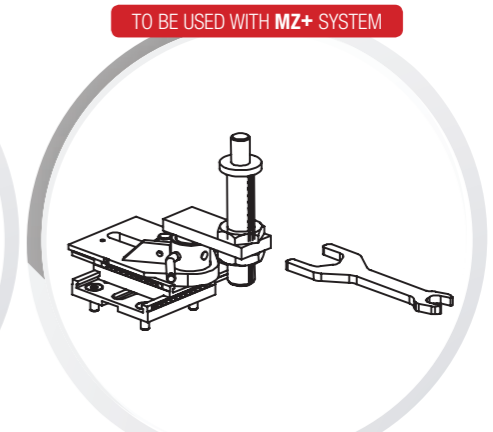
REF NO: AN.42



REF NO: AN.41



REF NO: AN.36.04



REF NO: 9212.013

TO BE USED WITH MZ+ SYSTEM

REF NUMBER	DESCRIPTION
AN.34.S	ANCHORING SET for BMW (Reference BMW : 81410430974) - REPLACED BY AN.34.B
AN.42	ANCHORING KIT FOR RENAULT MASTER VAN
AN.36.04	ANCHORING SET for RENAULT : CLIO III / CLIO IV / CAPTUR / MODUS / FLUENCE / MEGANE II / MEGANE III / SCENIC II / SCENIC III & NISSAN : MICRA K12
9212.013	MERCEDES ANCHORING SET

## PULLING CLAMPS AND ATTACHMENTS

ATD accessories

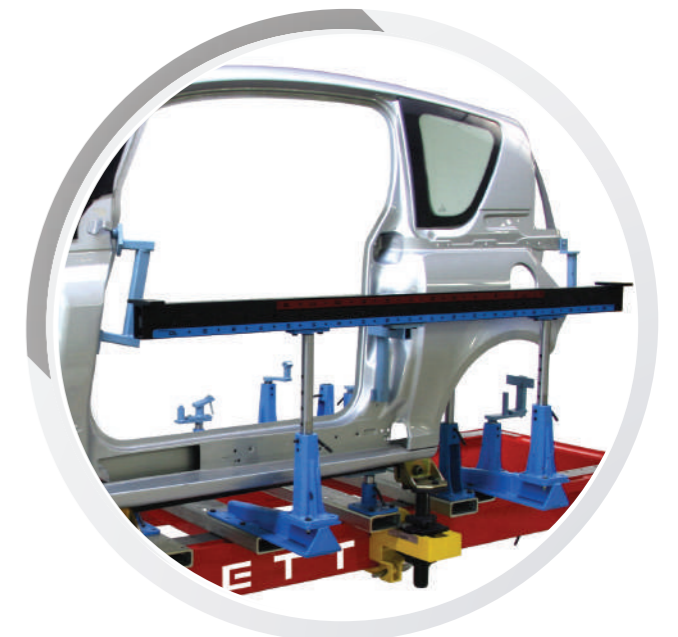


## POSITIONING & ANCHORING FIXTURES

### DEDICATED JIGS



SYSTEM MZ+



OVERHEAD GANTRY

### ADAPTABLE FIXTURES



CAMELEON ENTRY



CAMELEON PLUS



CAMELEON PREMIUM

### SYSTEM MZ+

Tower + piston + top = The right combination

REF NO: Upon request

System MZ+ is an evolution from the MZ system. It is simple, rapid and accurate for holding and positioning. The modular crossmembers, MZ towers and pistons are universal. The MZ+ tops are vehicle specific.



### SYSTEM MZ+

Tower + piston + top = The right combination

REF NO: Upon request

Homologated by the world leading car manufacturers, the MZ jig system is an accurate tool based on a fixture system that is used on car production line which eliminates operator error (no guess work) and ideal for any structural repairs



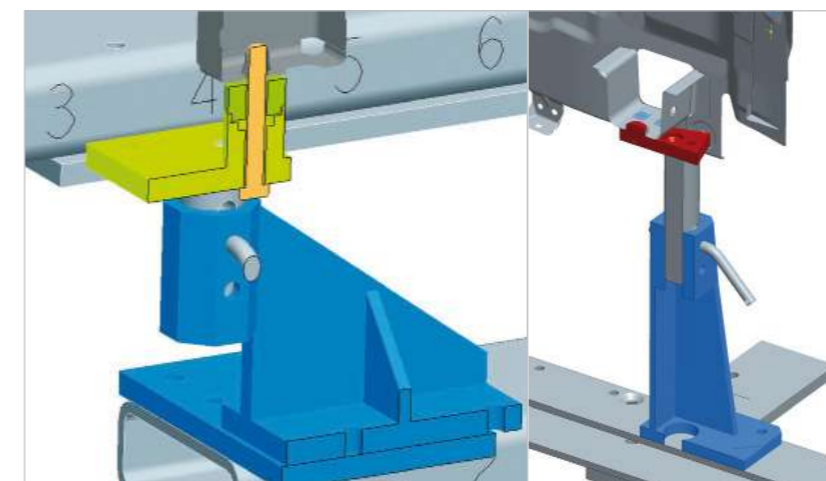
REF NO: 955A.9612



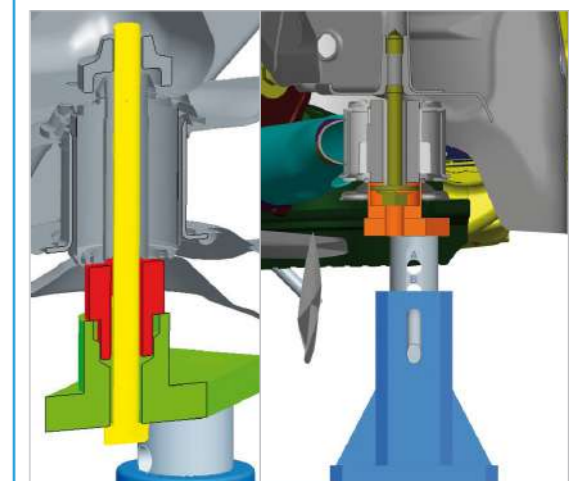
REF NO: MZ450.010



REF NO: MZ2500.000



SUSPENSION OUT



SUSPENSION IN

### SYSTEM MZ+

Tower + piston + top = The right combination

REF NO: Upon request



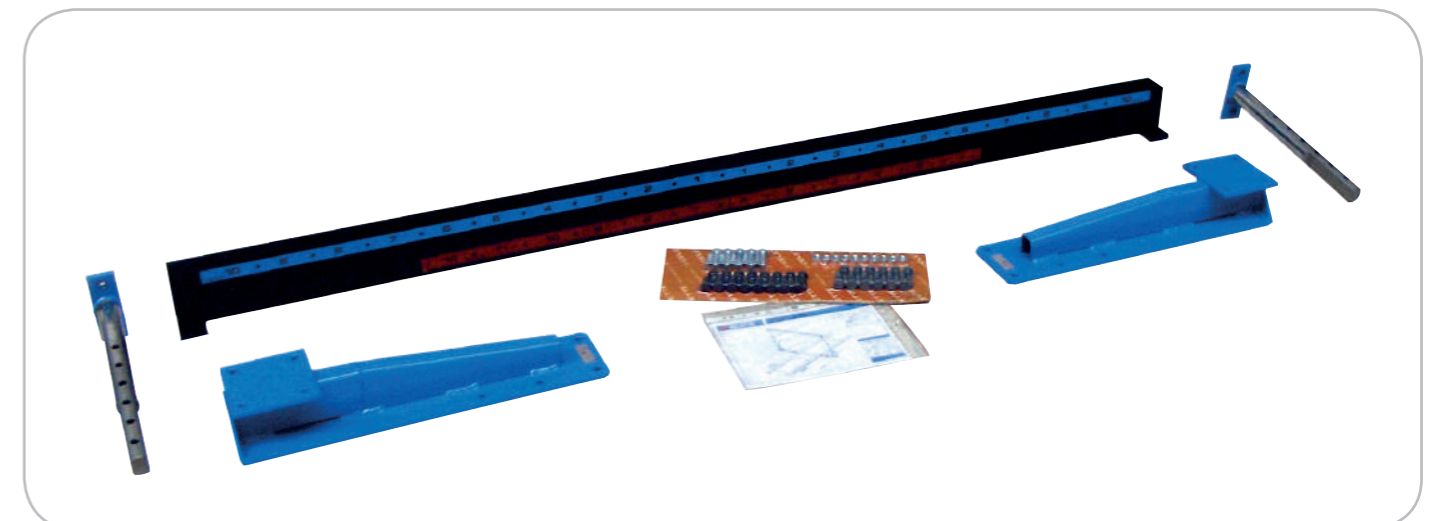
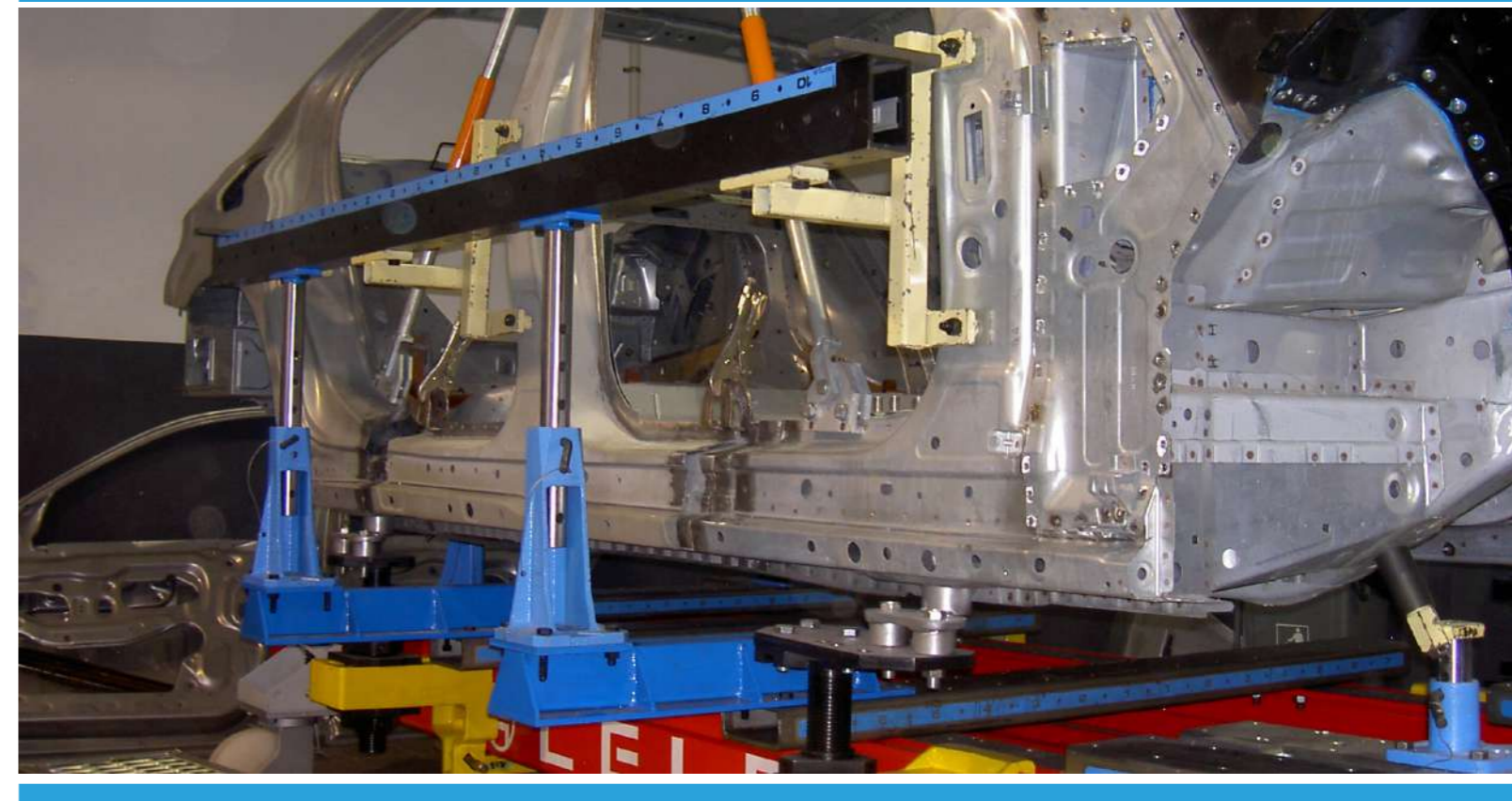
REF NUMBER	DESCRIPTION
9113.063	Overhead gantry
955A.9252	5 Aluminum crossmembers set with storage trolley
MZ450.925	Set of 22 MZ towers + storage trolley (Evolution of reference MZ450.915)
XXXX.XX	Vehicle specific bracket sets (Refer website)
955A.9012	Aluminum crossmembers set
955A.9412	6 Mercedes aluminum crossmembers set

### OVERHEAD GANTRY - UPPER BODY JIGS

Tower + piston + top = The right combination

REF NO: 9113.063

The overhead gantry provides perfect alignment of the lateral panels (car-body lateral elements) and of the upper parts of the car-body (e.g. cabriolet).



## CAMELEON

Customizable fixture solution - Universal | Adjustable

REF NO: CAM01.102 | CAM02.142 | CAM02.162



A New concept for structural repair and measurement of damaged vehicles. Cameleon offers a complete and accurate structural repair solution for all the existing and future vehicles without the need for additional tools.



- ▶ **Online 3D software** ensure UP-TO-DATE vehicle database everytime
- ▶ Intuitive assembly layout facilitates quick construction of Cameleon fixtures
- ▶ No compromise in the accuracy level of repair
- ▶ Complete solution for measuring/diagnosis, anchoring, re-construction and repair with a unique technique for all the vehicles in the segment
- ▶ Facilitates the use of existing Celette benches, cross members, MZ towers and MZ+ pistons
- ▶ User-friendly software interface enables faster learning by body technicians
- ▶ Twice as efficient in terms of productivity compared to electronic measuring systems and so-called universal jig systems

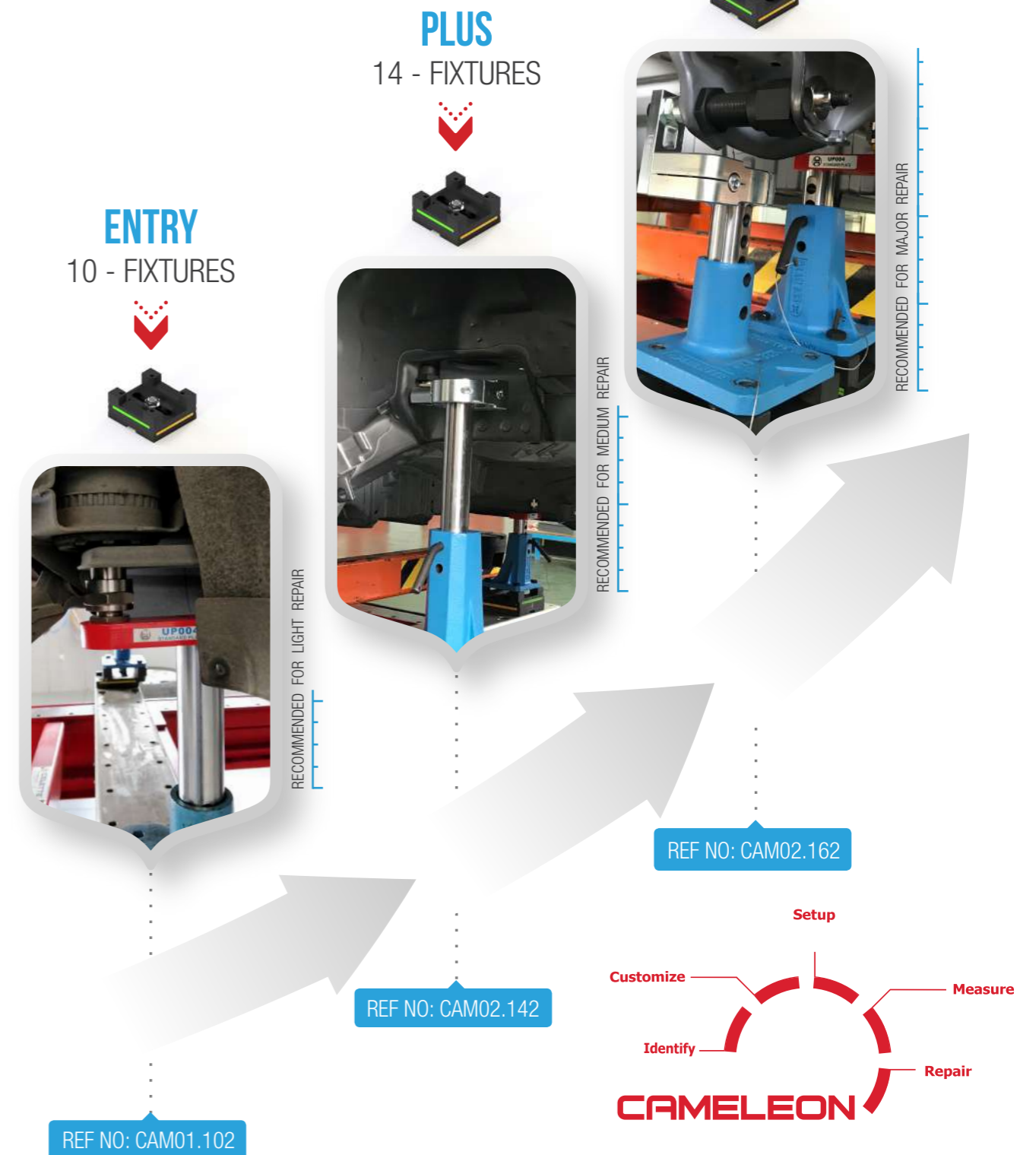
## CAMELEON

Customizable fixture solution - Universal | Adjustable

REF NO: CAM01.102 | CAM02.142 | CAM02.162



Build your own **JIGS** with **OEM 3D CAD** coordinates - Celette certified repair with Cameleon



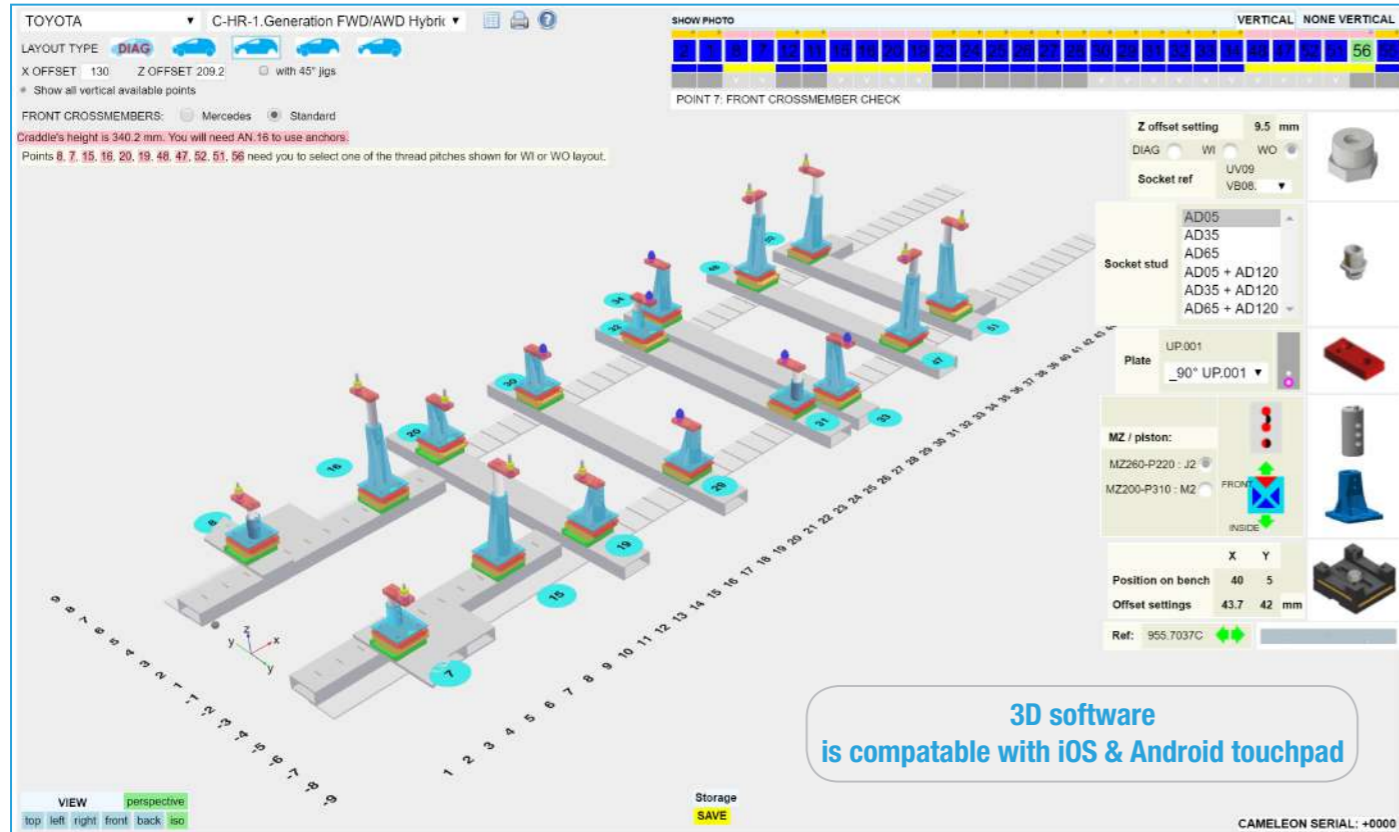
# CAMELEON

Customizable fixture solution - Universal | Adjustable

REF NO: CAM01.102 | CAM02.142 | CAM02.162



## USER INTERFACE - ISOMETRIC [3D] VIEW



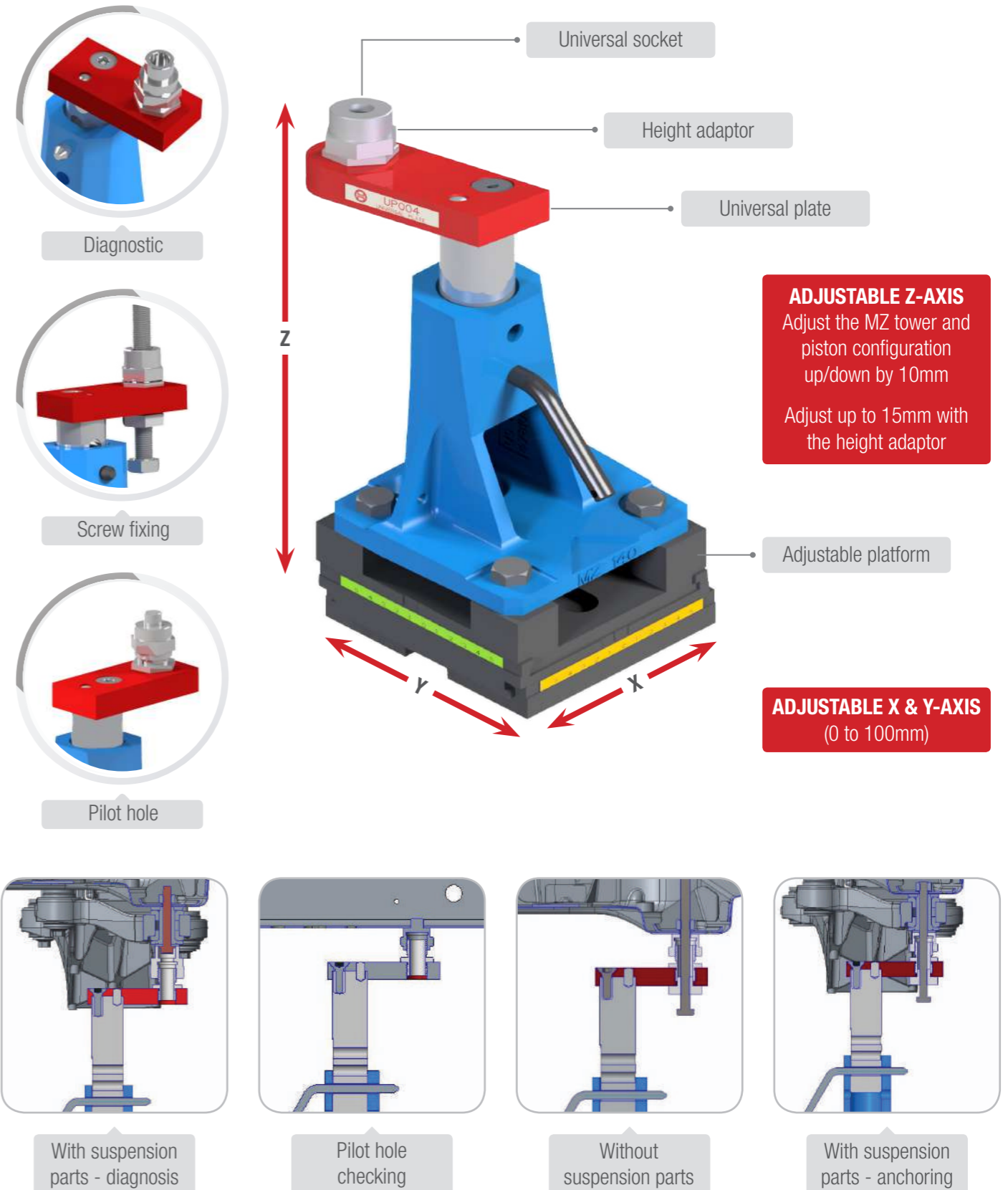
## PREMIUM / PLUS



# CAMELEON

Customizable fixture solution - Universal | Adjustable

REF NO: CAM01.102 | CAM02.142 | CAM02.162



## CAMELEON

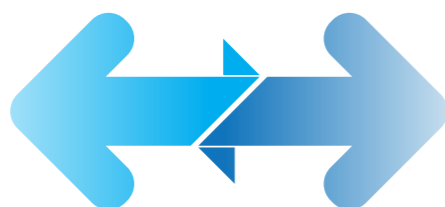
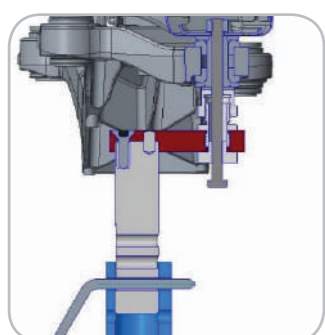
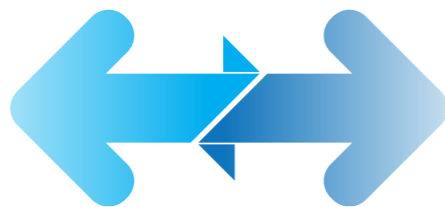
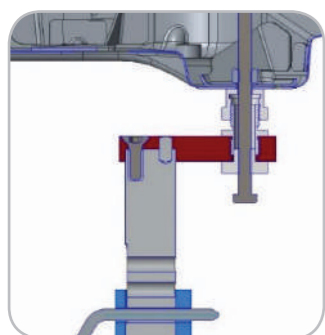
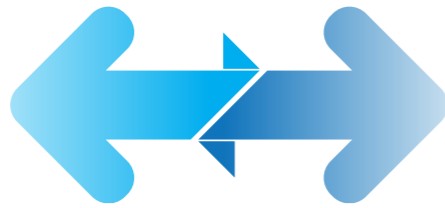
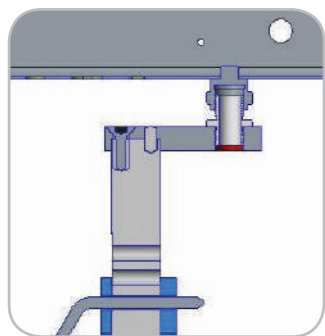
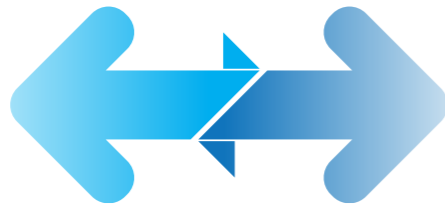
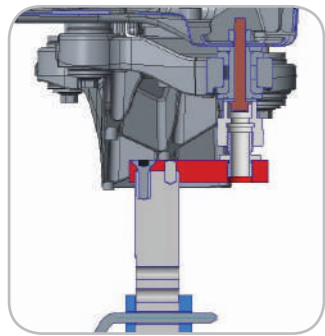
Customizable fixture solution - Universal | Adjustable

REF NO: CAM01.102 | CAM02.142 | CAM02.162



DIAGNOSTIC | POSITIONING | ANCHORING

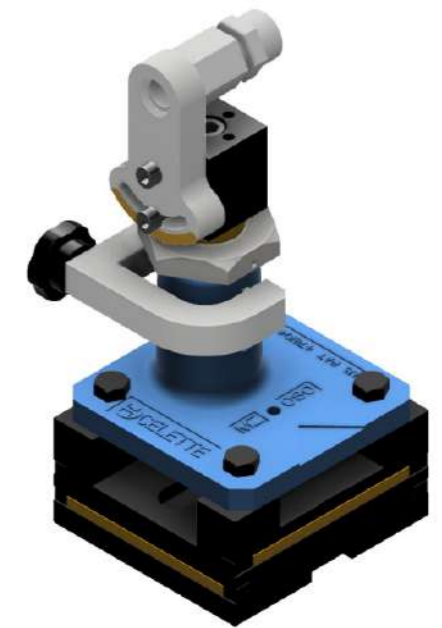
All what you need to perform an OEM recommended repair process



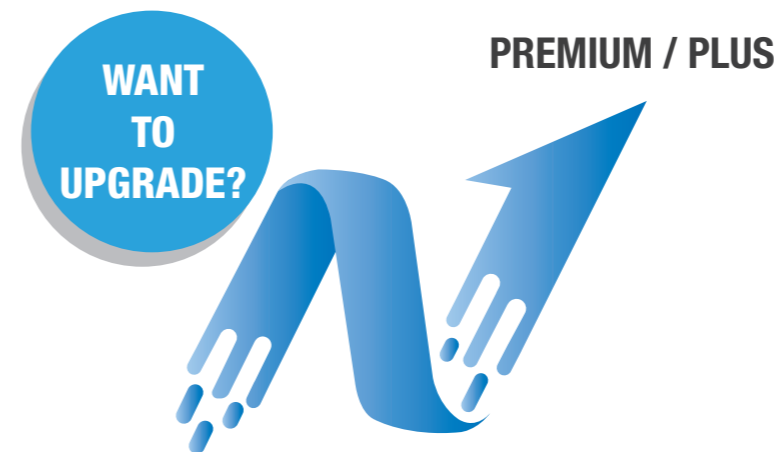
## CAMELEON

Customizable fixture solution - Universal | Adjustable

REF NO: CAM01.102 | CAM02.142 | CAM02.162



**ADDITIONAL HOLDING DEVICE**  
STANDARD SCOPE OF SUPPLY WITH  
ALL VARIANTS OF CAMELEON



### CAMELEON ENTRY

CAM02.066  
ADD-ON KIT TO CAMELEON PREMIUM  
CAM02.042  
ADD-ON KIT TO CAMELEON PLUS



ALL THE COMPONENTS ARE  
ERGONOMICALLY PLACED INSIDE THE  
TROLLEY FOR MANEUVERABILITY

### CAMELEON

Customizable fixture solution - Universal | Adjustable

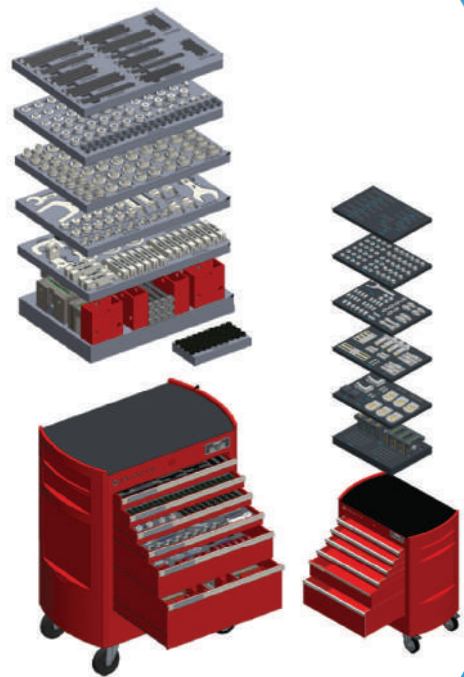
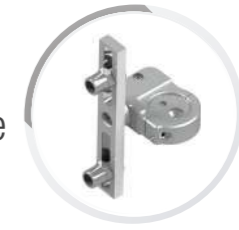
REF NO: CAM01.102 | CAM02.142 | CAM02.162



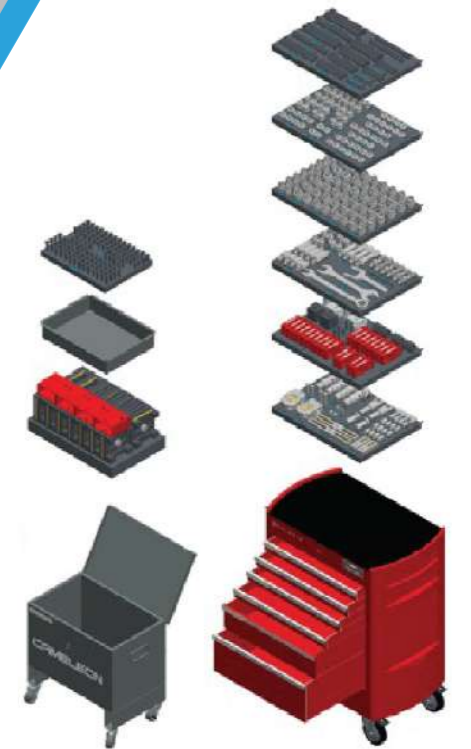
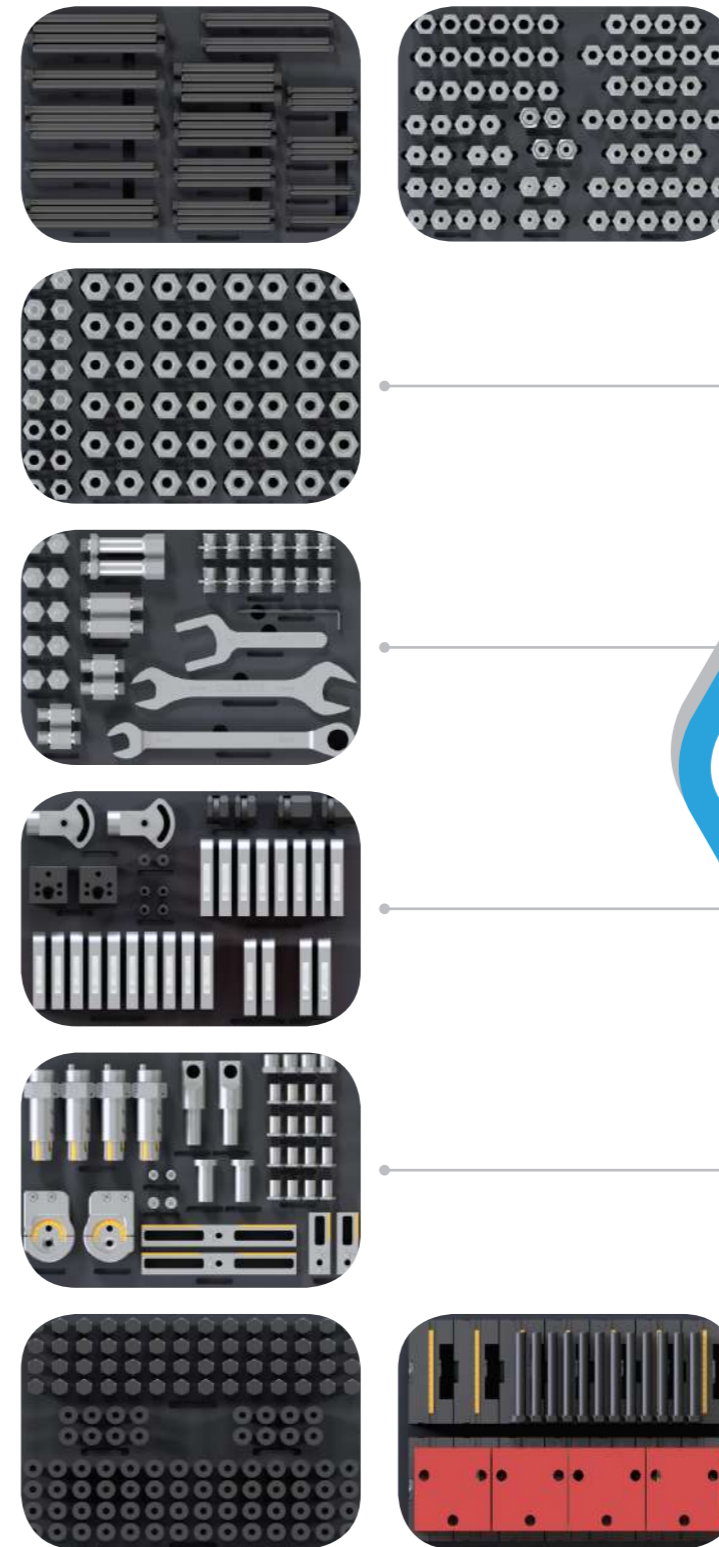
### CAMELEON

Customizable fixture solution - Universal | Adjustable

REF NO: CAM01.102 | CAM02.142 | CAM02.162



CAM02.162



CAM02.142

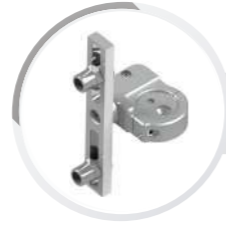
# CAMELEON PREMIUM

# CAMELEON PLUS

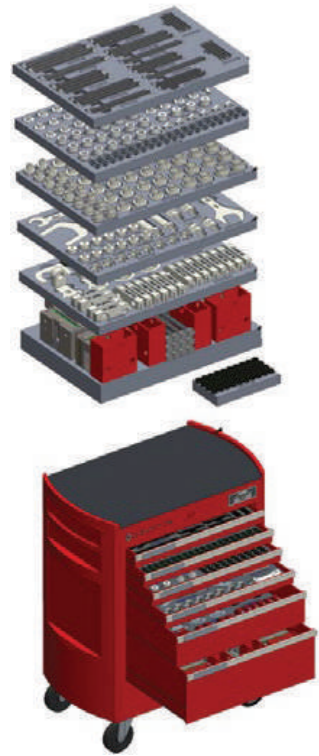
### CAMELEON

Customizable fixture solution - Universal | Adjustable

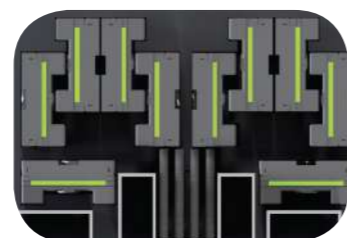
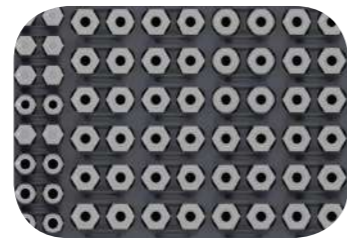
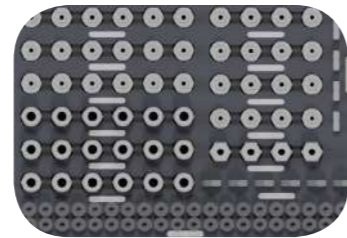
REF NO: CAM01.102 | CAM02.142 | CAM02.162



ONLY WITH PLUS & PREMIUM VARIANTS



CAM01.102



**CAMELEON**  
**ENTRY**



### CAMELEON

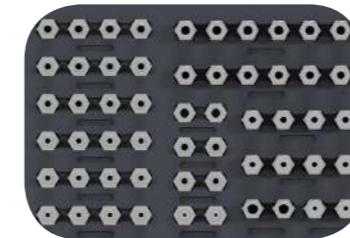
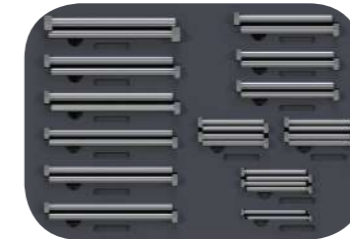
Customizable fixture solution - Universal | Adjustable

REF NO: CAM01.102 | CAM02.142 | CAM02.162



UPGRADE TO PLUS VARIANT REF NO: CAM02.042

UPGRADE TO PREMIUM VARIANT REF NO: CAM02.066



CAM02.042

CAM02.066

**CAMELEON**  
**ADD-ON KIT**

*Beat the speed  
of car body diagnostic  
with the new*

# EAGLE

**PATENTED**

*by*

**CELETTE®**

## MEASURING SYSTEMS



EAGLE



NAJA 3D



MZ CROSS

**EAGLE**

3D Electronic measuring system

REF NO: Upon request

**THE ALL NEW 3D LASER MEASUREMENT SYSTEM WITH SELF LEARNING USER INTERFACE**



**The car body measurements can be carried out much more accurately with Laser measurement system, compared to Traditional technology.**

- ▶ Online **3D software** for vehicle database
- ▶ Wireless connectivity between the Laser gun, Targets and Software - WiFi technology
- ▶ Unlike traditional technology, EAGLE do not require reference points measurement
- ▶ Levelling of the vehicle is not required in EAGLE - **PATENTED TECHNOLOGY**
- ▶ Idle for Insurance diagnosis report - Complete vehicle body measurement in less than 10 minutes
- ▶ Accuracy: +/- 0.5 mm
- ▶ Original data from OEM



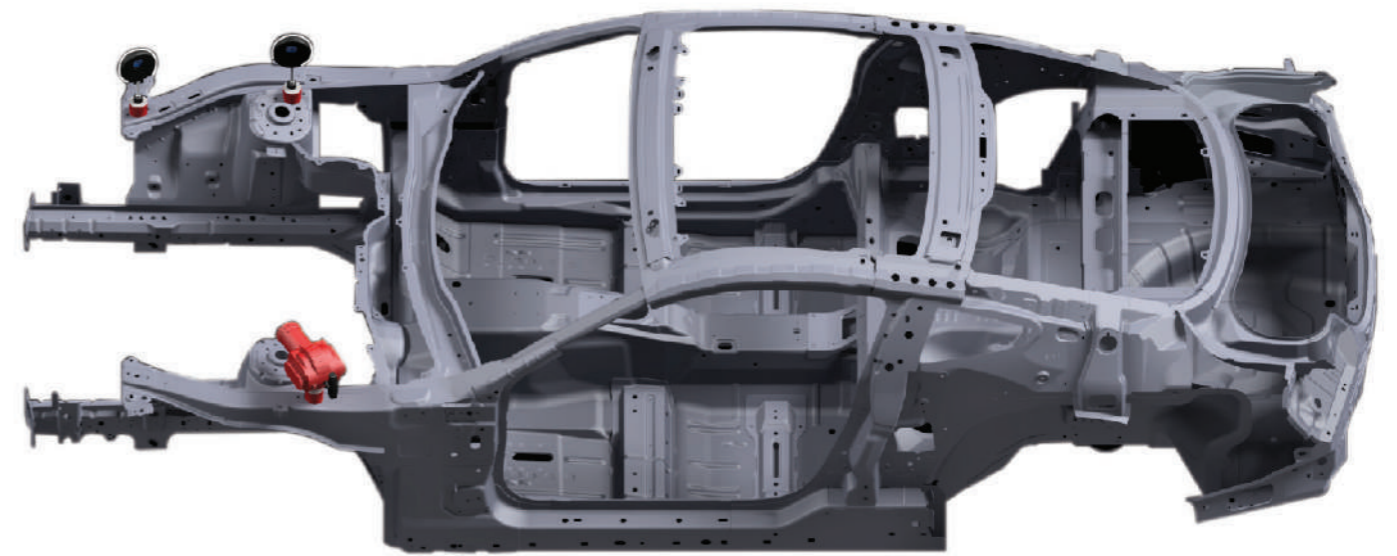
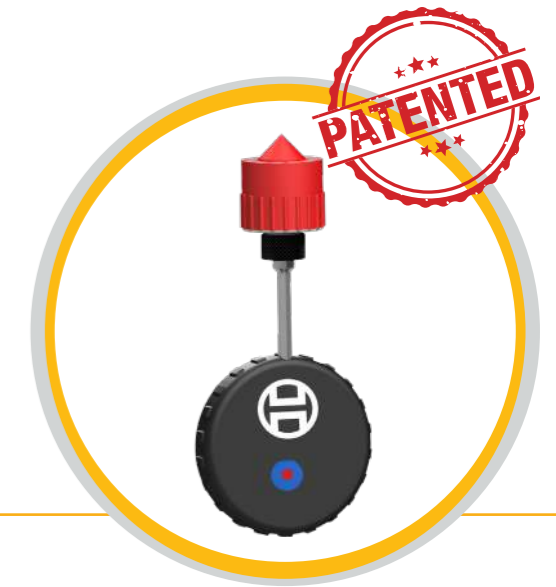
**EAGLE**

Mechanical tram gauge

REF NO: Upon request

**MEASURE YOUR CAR IN JUST 3 STEPS**

- ▶ Place the magnetic target in the point to measure
- ▶ Align the Laser Gun into the target and shoot
- ▶ The measuring values are displayed in the software



**QUICK | ACCURATE | EASY**

**PRE & POST REPAIR REPORTS**



**High Intensity Laser (HIL)** shoots the target in milliseconds and the measuring results are displayed in the software.



### NAJA 3D

Computerized measuring system for check and repair

REF NO: NA.3024WI | NA.3025WI | NA.3026WS

3D Electronic measuring system is one of the worlds most advanced and user-friendly measuring system in this industry. Celette has been well known for its constant endeavours to provide the best in class collision repair systems and diagnostic equipment to the car manufacturers and to the end user. We not only provide equipments but also offer technical solutions.



- ▶ Wireless bluetooth between the computer and the sliding head
- ▶ User-friendly software for very easy use
- ▶ No risk of faulty reading with green and red symbols (green for good and red for faulty)
- ▶ High accuracy and reliability upon NF X06044 EUROPE-USA standard
- ▶ Customer measurement, report, can be recorded and printed
- ▶ Calibration check bar included for ISO process
- ▶ Vehicle data supplied (comparative and point-to-point data)

### NAJA 3D

Computerized measuring system for check and repair

REF NO: NA.3024WI | NA.3025WI | NA.3026WS



REF NUMBER	DESCRIPTION
NA.3026WS	Measuring system NAJA
NA.3025WI	Measuring system NAJA + storage trolley for laptop
NA.3024WI	Measuring system NAJA + Storage trolley for Desktop
REF NUMBER	DESCRIPTION
NA.3320	Magnetic socket
NA.7020.4512	Lateral probe
NA.3051	Gazelle: lower support stand
9150.503	Holding arm for NAJA
NA.3101	Gazelle: NAJA support for diagnostic operation
GR97.0040	Pliers high
9105.063	Holding device for pulling operation

CHECK WEBSITE FOR COMBO PRICES

**MZ CROSS**

Digital tram gauge with display

REF NO: MCR.5500

Digital tracking gauge to fulfil your need of quick diagnostic.

**MZ CROSS IS SUPPLIED WITH THE FOLLOWING:**

- ▶ Software and a vehicles database CD, designed by Celette (no Internet connection is required to download the database)
- ▶ A tram gauge with a large measuring distance (16 - 105 in)
- ▶ A storage case with 2 sets of sockets for checking between 2 measuring points on vehicles
- ▶ A self centering magnetic cone helps the operator to use it single handly

**MZ CROSS**

Digital tram gauge with display

REF NO: MCR.5500

**MZ CROSS IS SUPPLIED WITH THE FOLLOWING:**

- ▶ The report sheets are clear and include a picture of the selected point
- ▶ After selecting the vehicle model, the software guides the operator during the measuring operations
- ▶ The working sheet can be recorded as a measuring report and printed
- ▶ Differences between theoretical and effective measurement are calculated automatically

## WORLDWIDE SUBSIDIARIES

[www.celette.com](http://www.celette.com)

### NORTH AMERICA

#### CELETTE NORTH AMERICA

1142 North Main Street  
IL 60148 LOMBARD / **USA**  
☎ +1 630 396 6100  
✉ [contactus@celette-na.com](mailto:contactus@celette-na.com)

### EUROPE

#### CELETTE FRANCE S.A.S

3, Avenue Marcellin Berthelot  
38200 VIENNE / **FRANCE**  
☎ +33 474 575 959  
✉ [lepetit@celette.com](mailto:lepetit@celette.com)

#### CELETTE DEUTSCHLAND GMBH

Eugen-Ensslin-Str.3  
77694 KEHL / **GERMANY**  
☎ +49 785 195 58 712  
✉ [info@celette.de](mailto:info@celette.de)

### ASIA

#### CELETTE ASIA PACIFIC

700/941 M.5 Amata City Chonburi  
Industrial Estate,  
Nongkakha, Phanthong  
20160 Chonburi / **THAILAND**  
☎ +66 905 630 258  
✉ [ozay@celette.co.th](mailto:ozay@celette.co.th)

#### CELETTE INDIA PVT LTD.

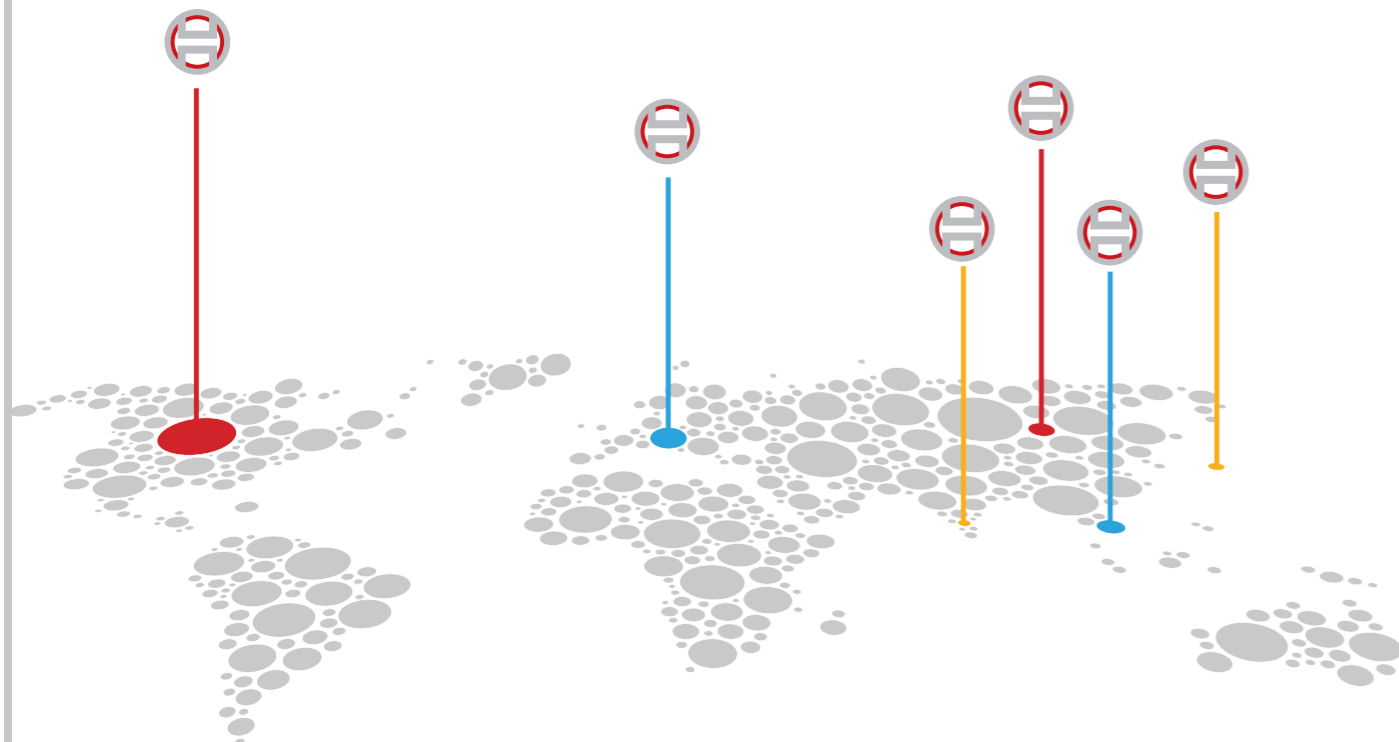
2/122 B-1, Mylampatty Road,  
Karayampalayam,  
Coimbatore 641062 / **INDIA**  
☎ +91 88 70 86 11 11  
✉ [ratan@celette.com](mailto:ratan@celette.com)

#### CELETTE AUTO EQUIPMENT AND REPARATION

Room 3, 11F, Xing Hui Building,  
No 176, Min Yang Road, Jiaxing,  
31400 Zhejiang Province / **CHINA**  
☎ +86 158 8831 7667  
✉ [lei@celette.com](mailto:lei@celette.com)

#### CELETTE JAPAN TECHNICAL OFFICE

667-9 Mabashi, Shisui-Machi, Inba-Gun,  
Chiba 285-0914 / **JAPAN**  
☎ +81 70 2183 1960  
✉ [kubota@celette.com](mailto:kubota@celette.com)



*Celette Workshop and  
Training Sessions*



## **CELETTE FRANCE SAS**

3, Avenue Marcellin Berthelot 38200 Vienne – France

 +33 474 575 959

 [contact@celette.com](mailto:contact@celette.com)

 [www.celette.com](http://www.celette.com)

